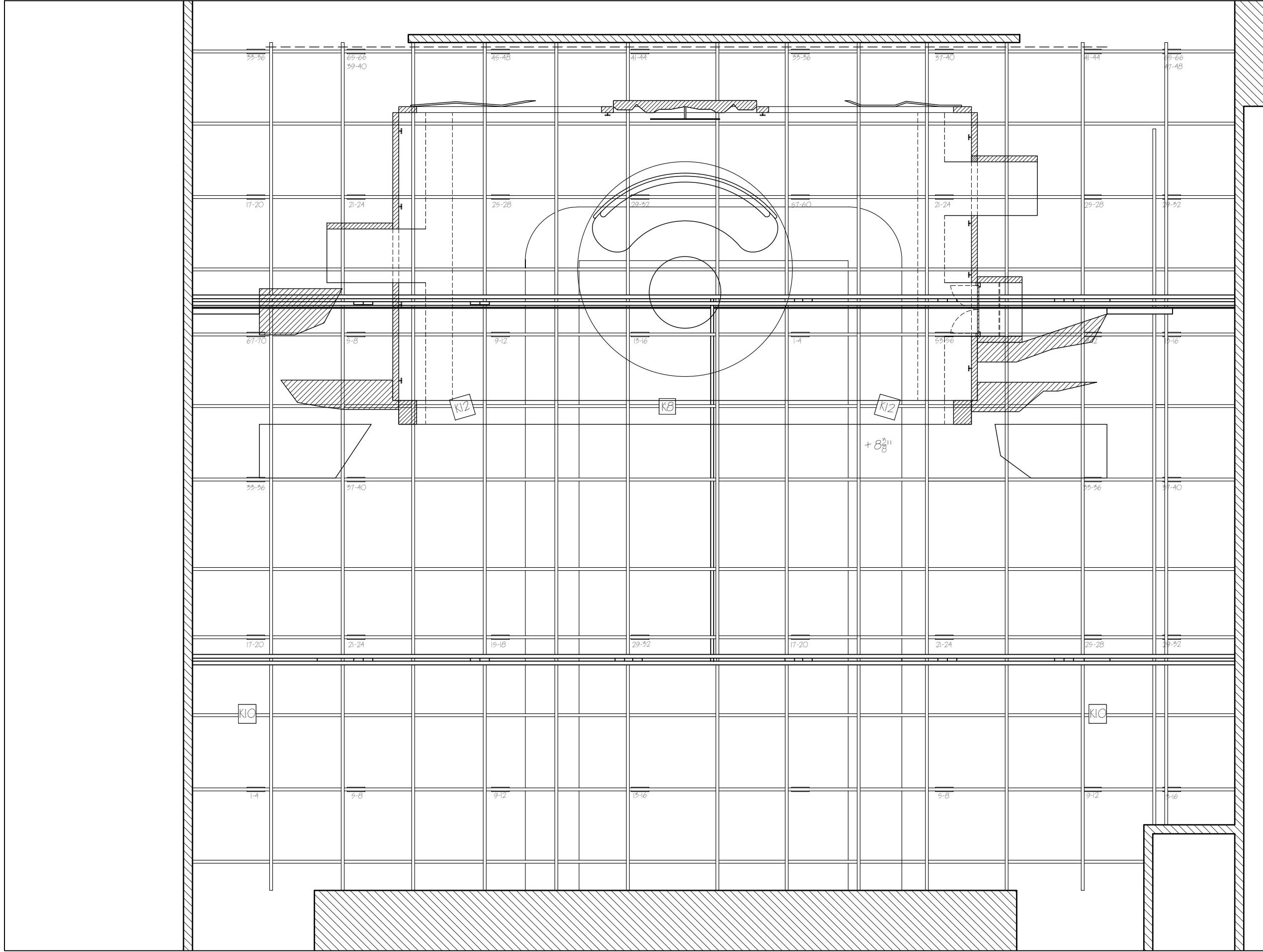


RAVEN THEATRE EAST THEATER	brother sister cyborg space GROUNDPLAN		D1 OF 8
	DIRECTOR: TERRY GUEST DESIGNER: STEVEN ABBOTT TD: BEN LIPINSKI DRAFTED BY: STEVEN ABBOTT		10/03/23
	SCALE: 3/16"=1'-0"		

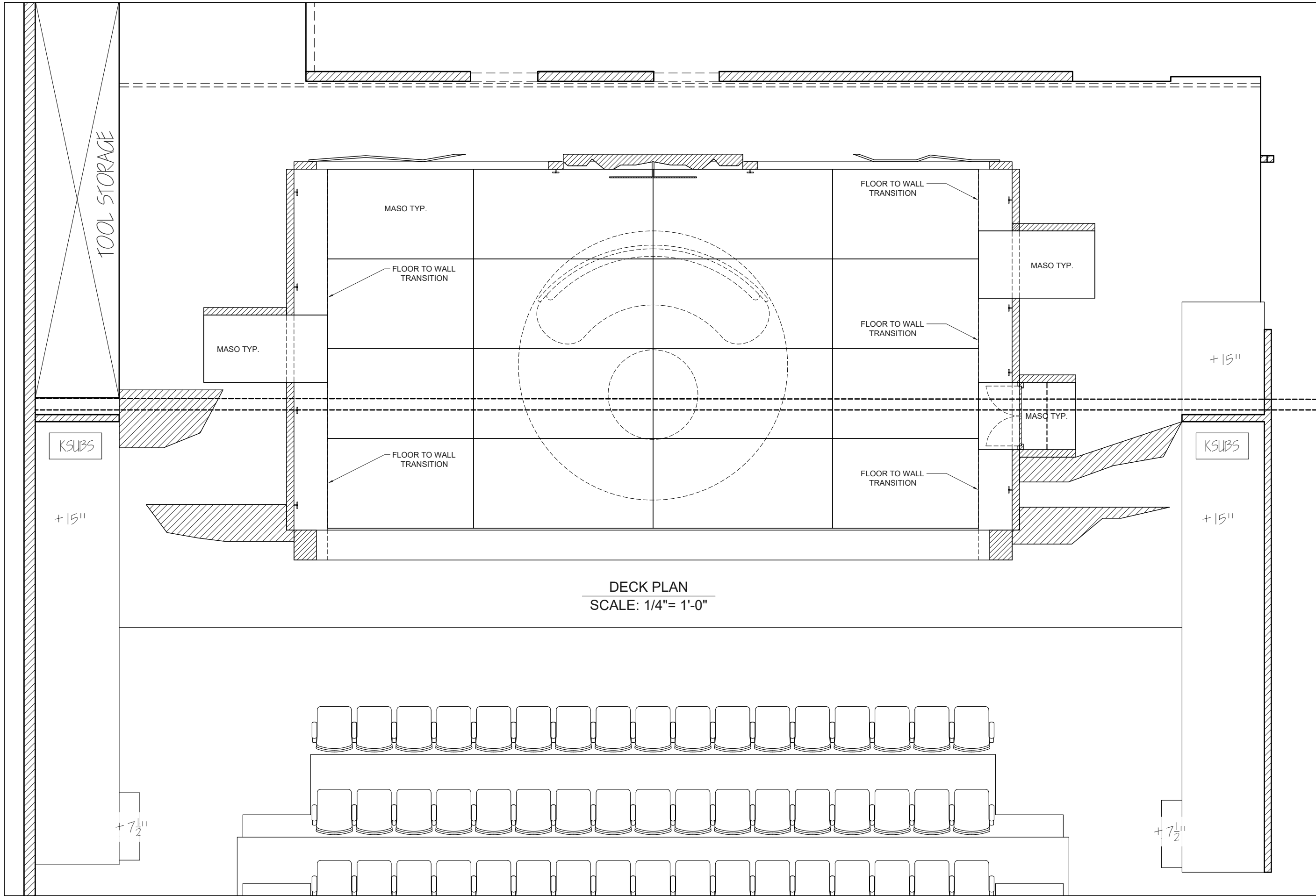


DIRECTOR: TERRY GUEST
 DESIGNER: STEVEN ABBOTT
 TD: BEN LIPINSKI
 DRAFTED BY: STEVEN ABBOTT

brother sister cyborg space
 GROUNDPLAN WITH GRID
 SCALE: 3/16"=1'-0" 10/03/23

D2
 OF 8

RAVEN THEATRE
 EAST THEATER



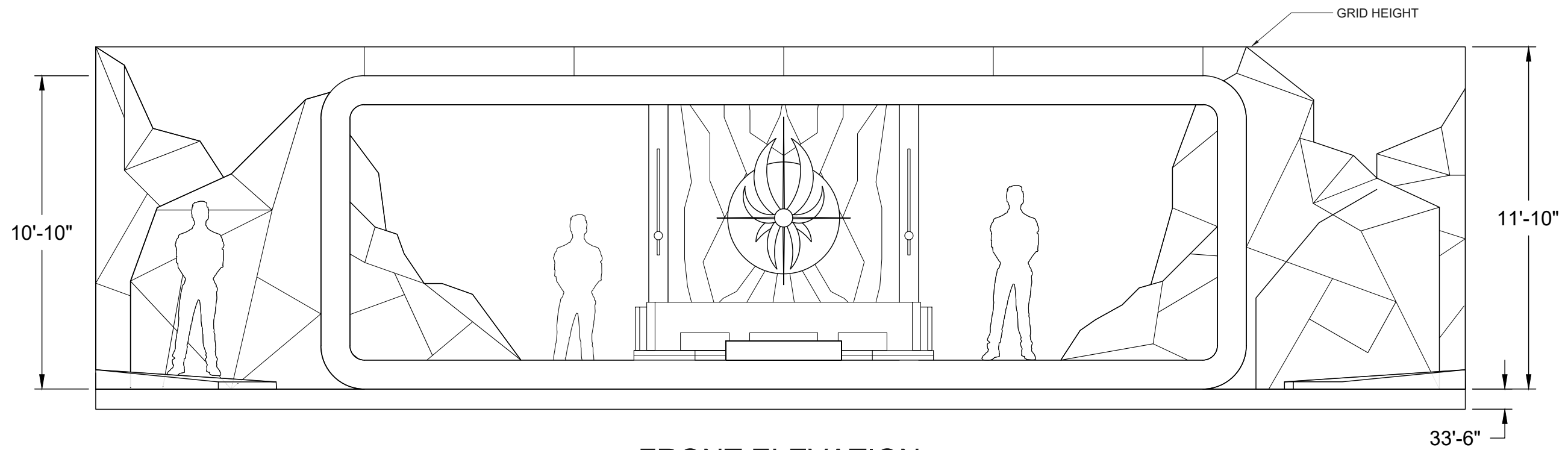
DECK PLAN
SCALE: 1/4" = 1'-0"

RAVEN THEATRE
EAST THEATER

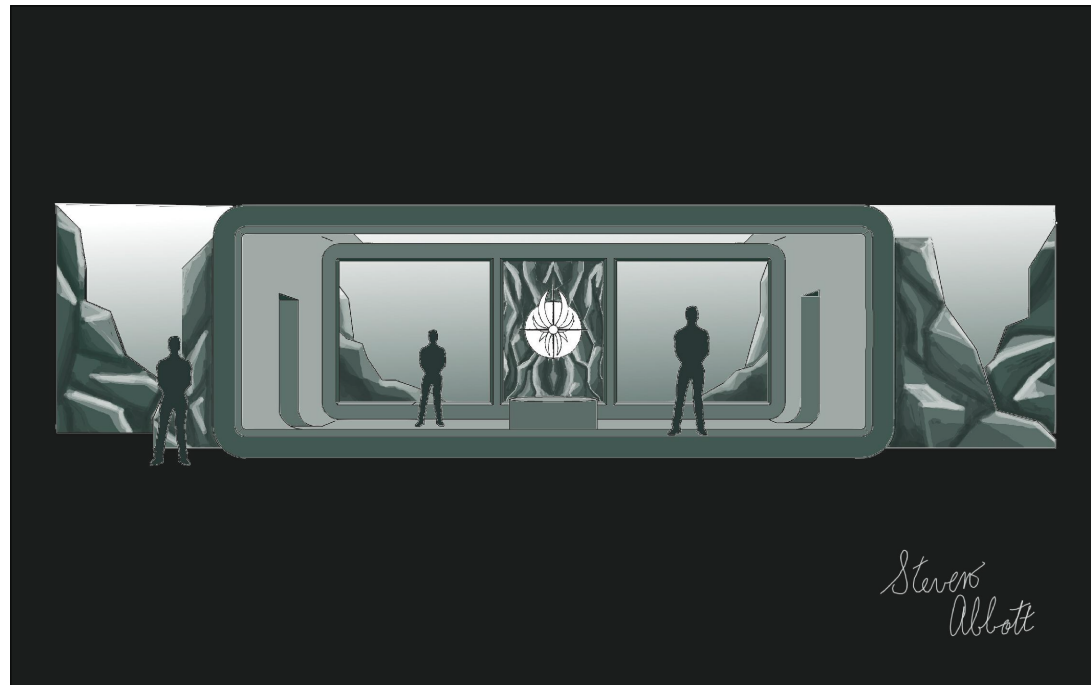
DIRECTOR: TERRY GUEST
DESIGNER: STEVEN ABBOTT
TD: BEN LIPINSKI
DRAFTED BY: STEVEN ABBOTT

brother sister cyborg space
DECK PLAN
SCALE: 1/4" = 1'-0"

10/03/23



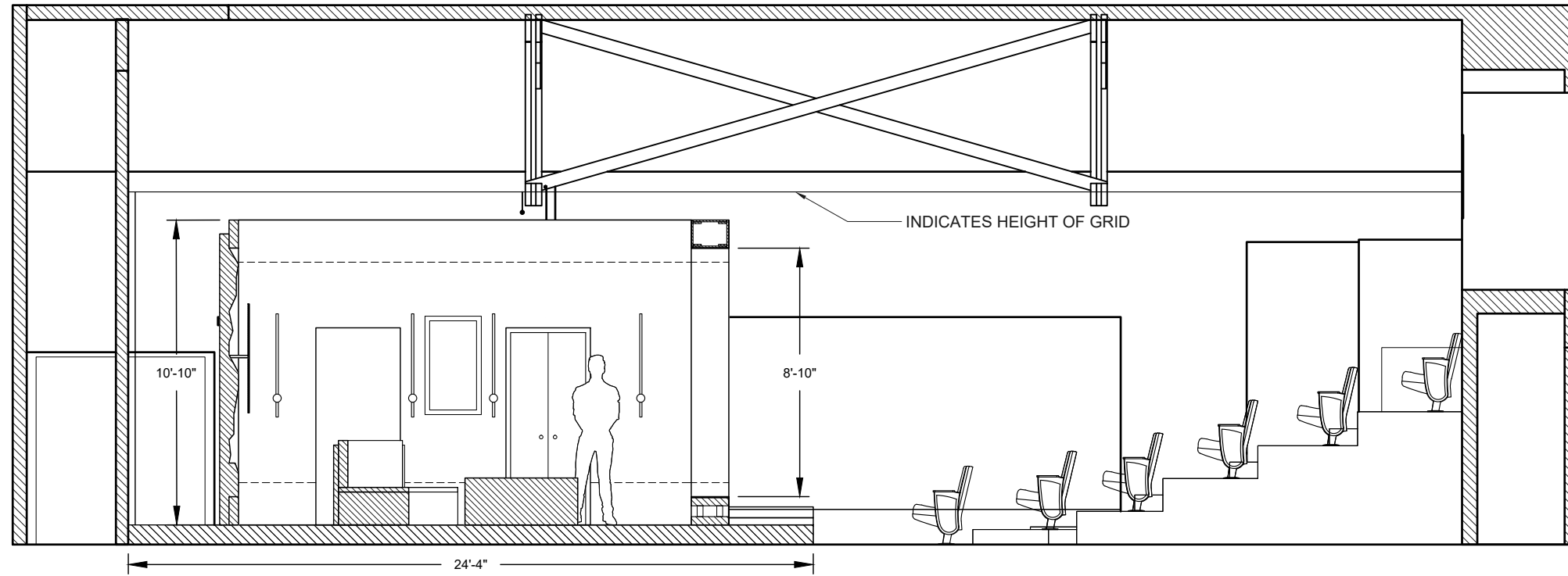
FRONT ELEVATION
SCALE: 1/4" = 1'-0"



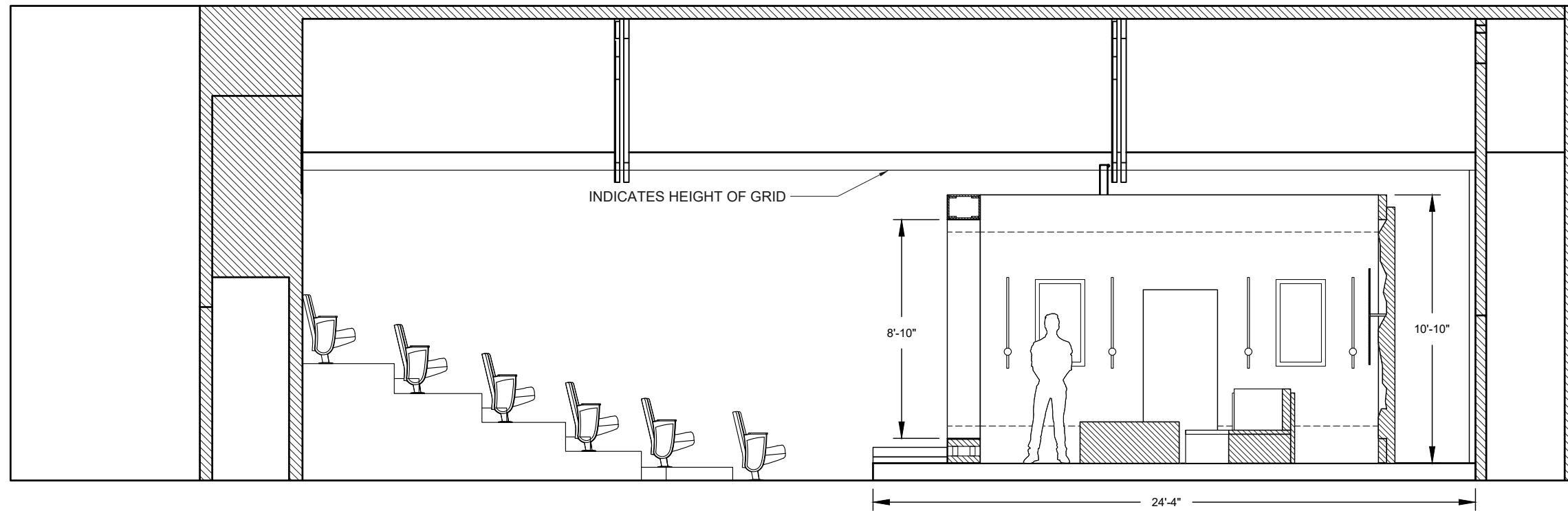
SKETCH REFERENCE



RESEARCH IMAGES



NORTH FACING SECTION
SCALE: 3/16"= 1'-0"



SOUTH FACING SECTION
SCALE: 3/16"= 1'-0"

D5

OF 8

brother sister cyborg space

SECTION VIEWS

10/03/23

SCALE: 3/16"=1'-0"

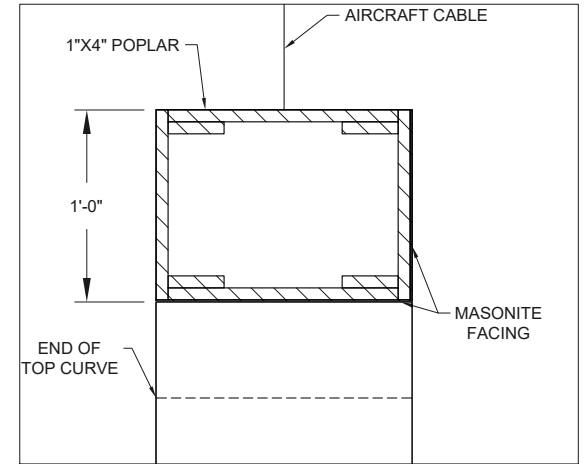
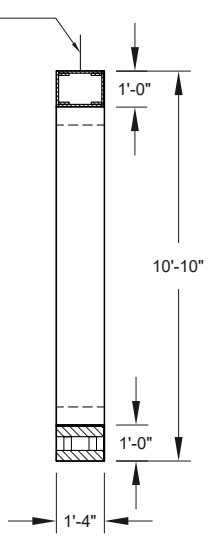
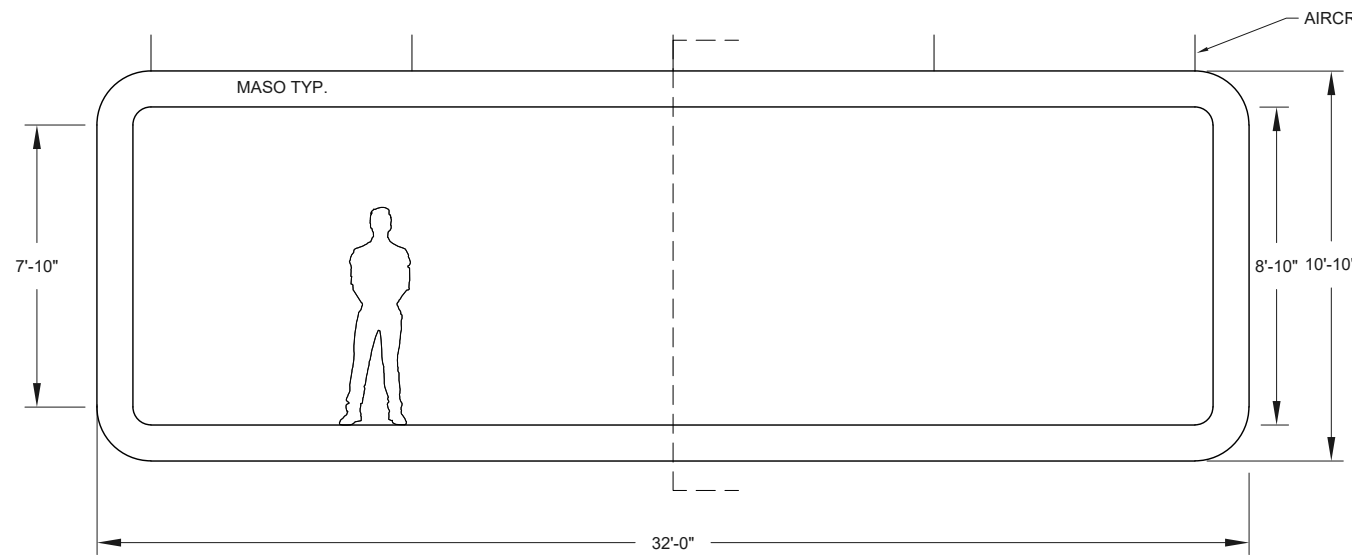
DIRECTOR: TERRY GUEST

DESIGNER: STEVEN ABBOTT

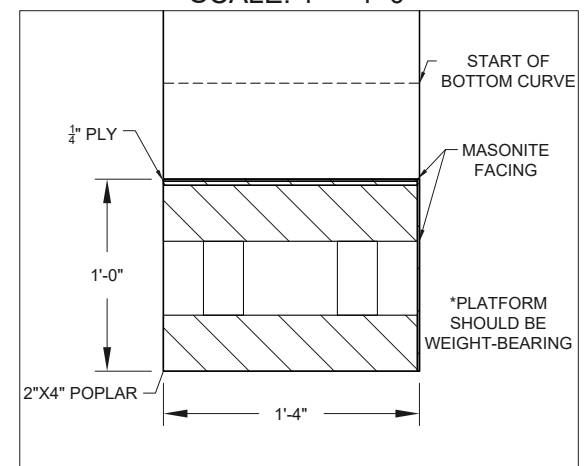
TD: BEN LIPINSKI

DRAFTED BY: STEVEN ABBOTT

RAVEN THEATRE
 EAST THEATER

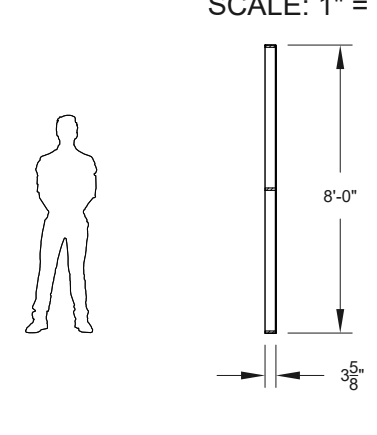
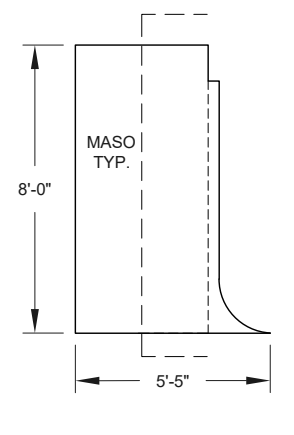
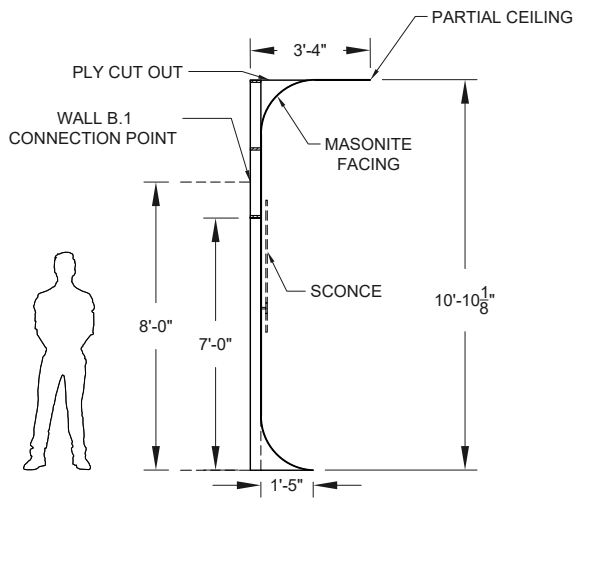
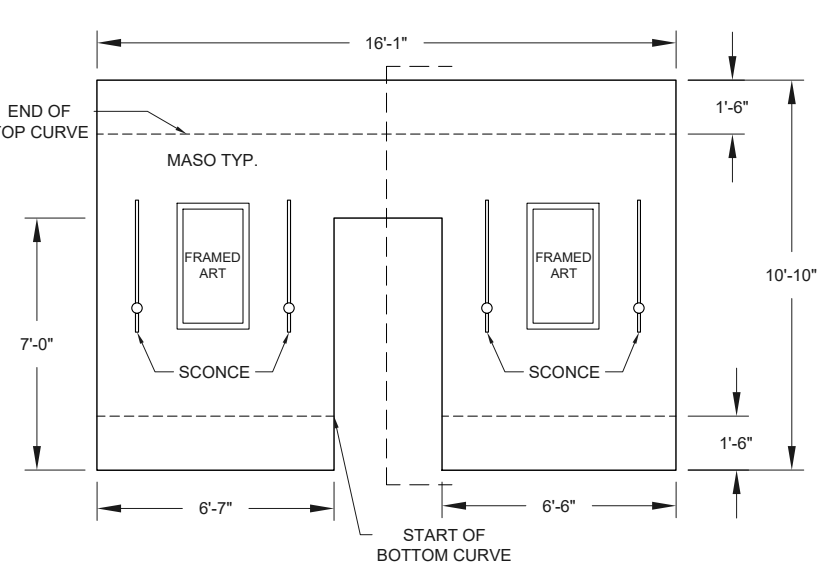


WALL A HEADER DETAIL SECTION
SCALE: 1" = 1'-0"



WALL A PLATFORM DETAIL SECTION
SCALE: 1" = 1'-0"

FRONT VIEW
PLAN VIEW
WALL A
SCALE: 3/16" = 1'-0"



FRONT VIEW
SECTION
WALL B.1
SCALE: 3/16" = 1'-0"

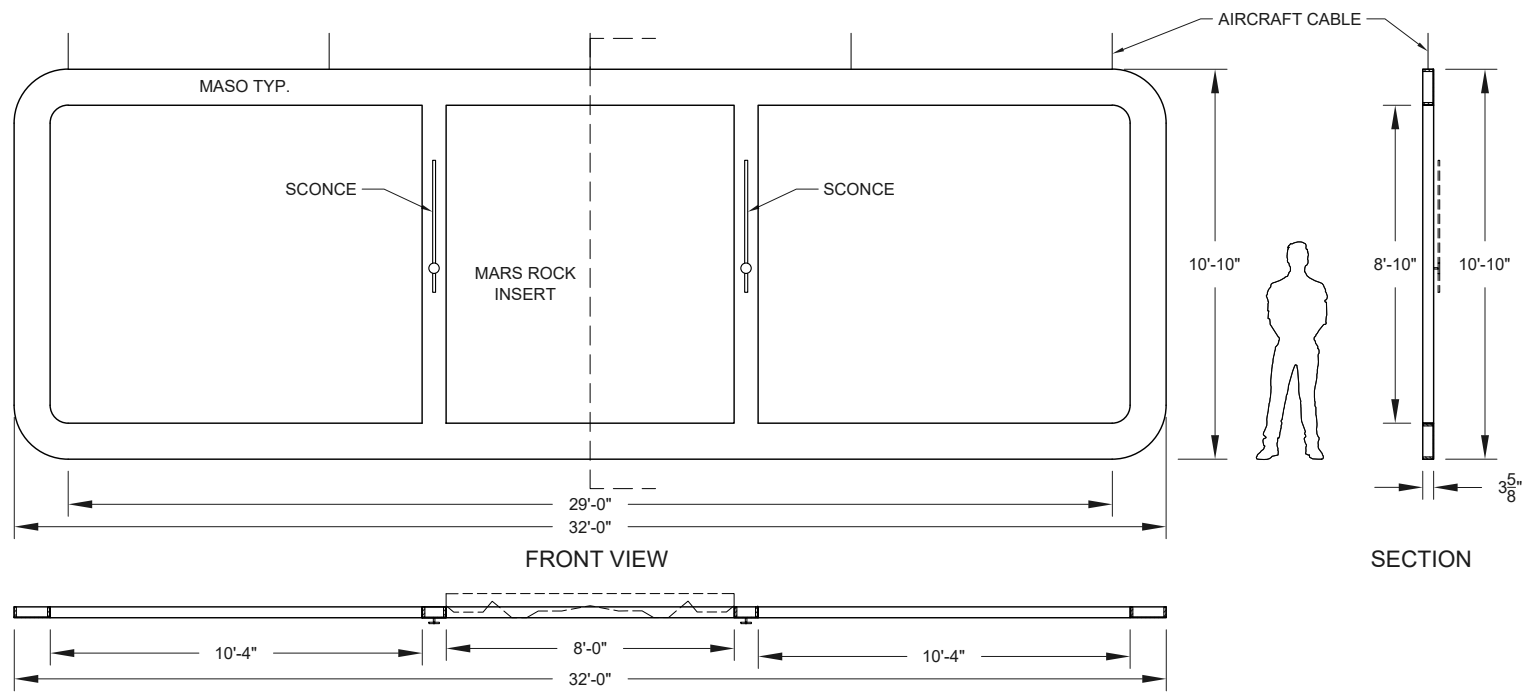
FRONT VIEW
PLAN VIEW
WALL B
SCALE: 3/16" = 1'-0"



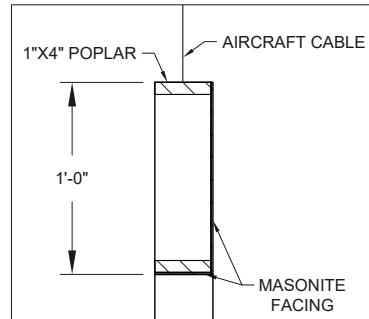
SCONCE RESEARCH IMAGE

NOTE:
THESE DRAWINGS REPRESENT VISUAL CONCEPTS AND CONSTRUCTION SUGGESTIONS ONLY. DESIGNER IS UNQUALIFIED TO DETERMINE STRUCTURAL APPROPRIATENESS AND WILL NOT ASSUME RESPONSIBILITY FOR IMPROPER ENGINEERING, CONSTRUCTION, AND/OR HANDLING OF ITEMS BEING PRODUCED OR MANUFACTURED.

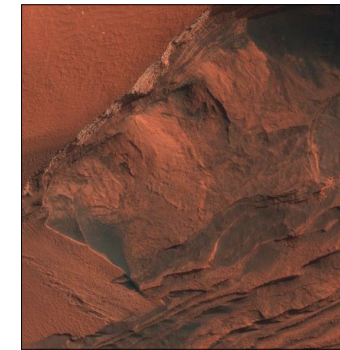
D6		OF 8
brother sister cyborg space		
WALL A AND B ELEVATIONS		10/03/23
DIRECTOR: TERRY GUEST		
DESIGNER: STEVEN ABBOTT		
TD: BEN LIPINSKI		
DRAFTED BY: STEVEN ABBOTT		
RAVEN THEATRE EAST THEATER		



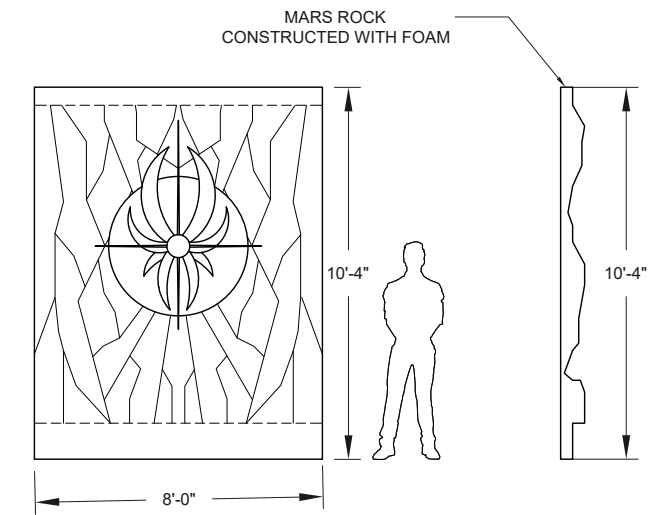
WALL C
SCALE: 3/16" = 1'-0"



WALL C DETAIL SECTION
SCALE: 1" = 1'-0"

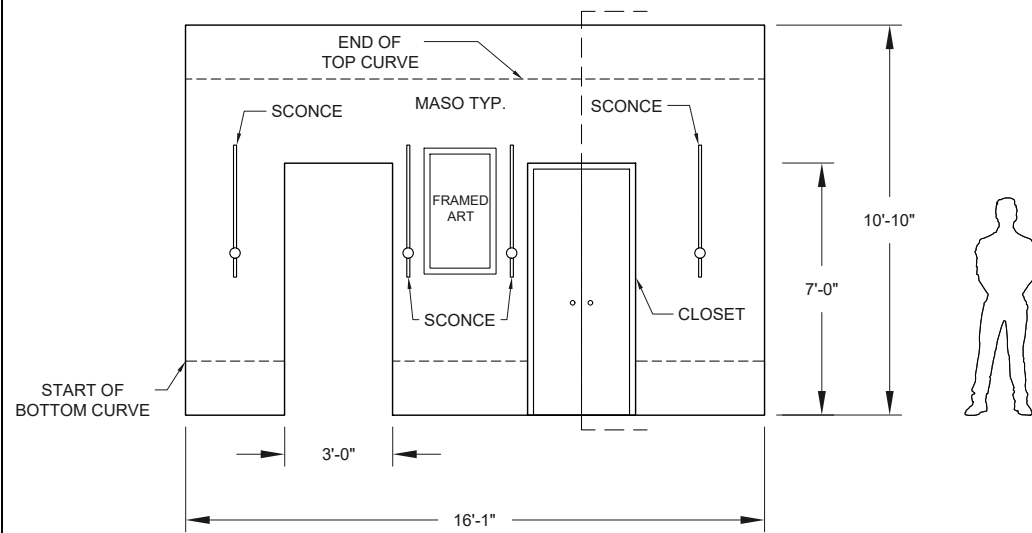


MARS ROCK RESEARCH IMAGE

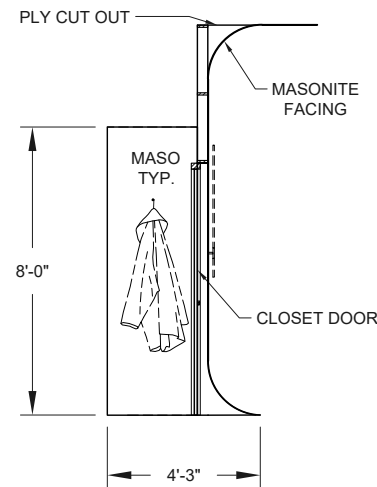


MARS ROCK
SCALE: 3/16" = 1'-0"

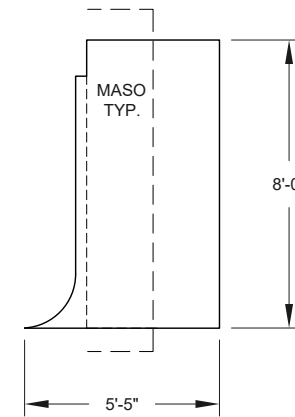
*AVA SCULPTURE DESIGN AND MATERIALS TBD



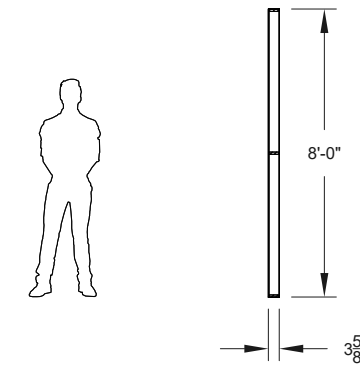
WALL D
SCALE: 3/16" = 1'-0"



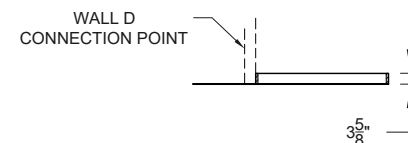
SECTION



FRONT VIEW



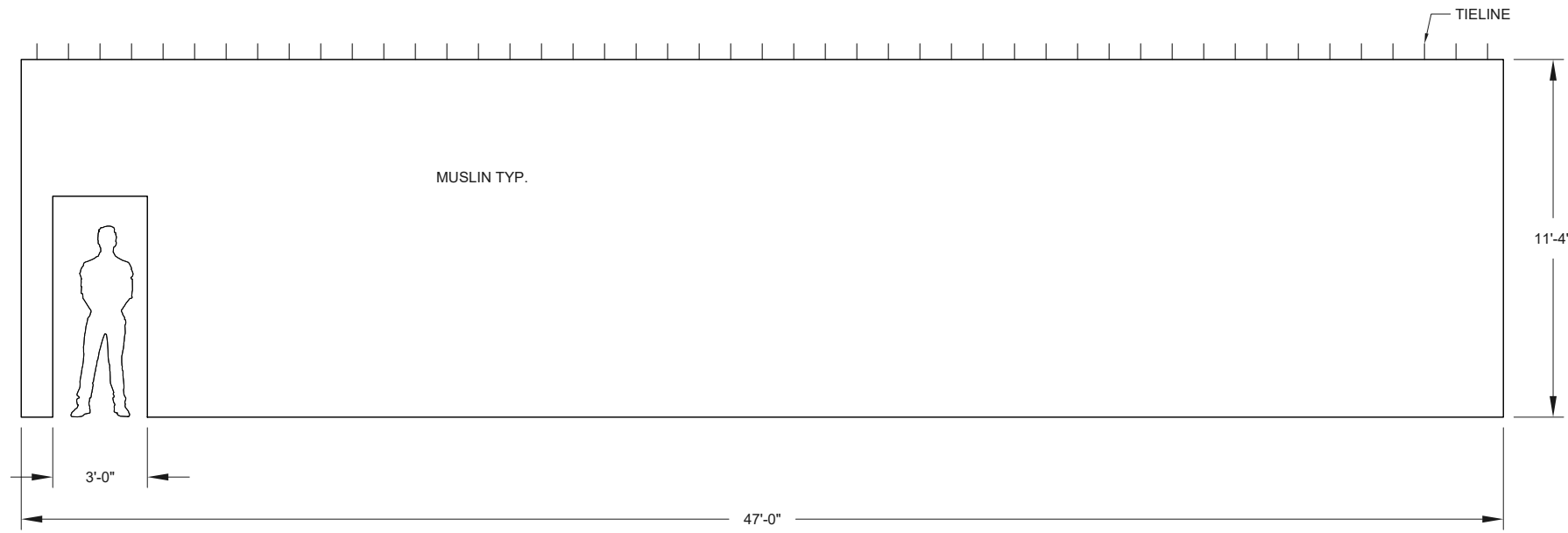
SECTION



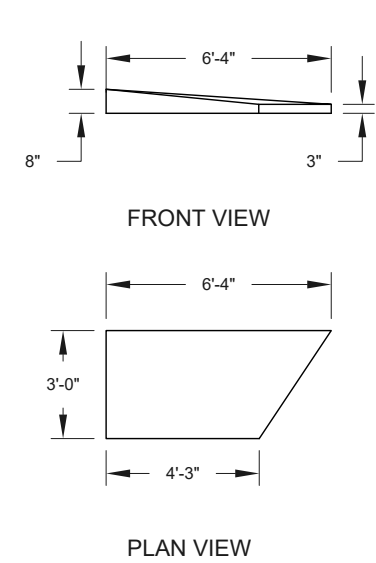
PLAN VIEW
WALL D.1
SCALE: 3/16" = 1'-0"

NOTE:

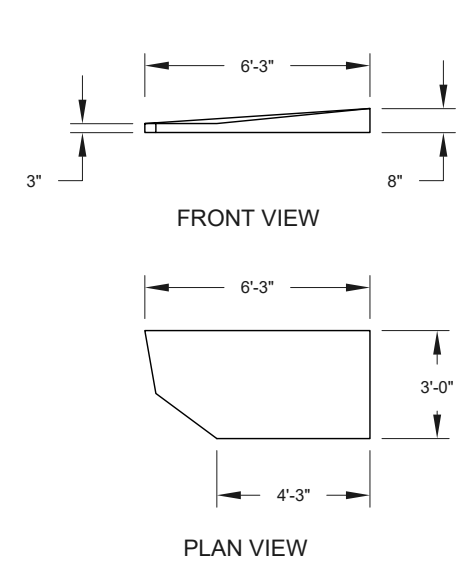
THESE DRAWINGS REPRESENT VISUAL CONCEPTS AND CONSTRUCTION SUGGESTIONS ONLY. DESIGNER IS UNQUALIFIED TO DETERMINE STRUCTURAL APPROPRIATENESS AND WILL NOT ASSUME RESPONSIBILITY FOR IMPROPER ENGINEERING, CONSTRUCTION, AND/OR HANDLING OF ITEMS BEING PRODUCED OR MANUFACTURED.



FRONT VIEW
 SKY DROP
 SCALE: 3/16" = 1'-0"

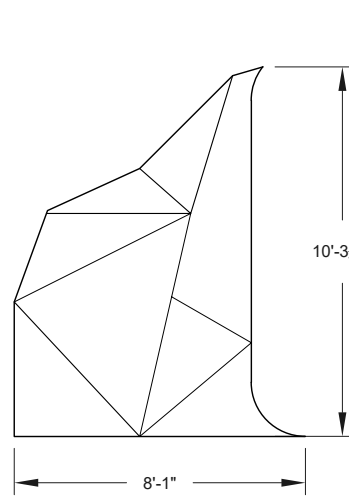


FRONT VIEW
 PLAN VIEW
 SR BOULDER PLATFORM
 SCALE: 3/16" = 1'-0"

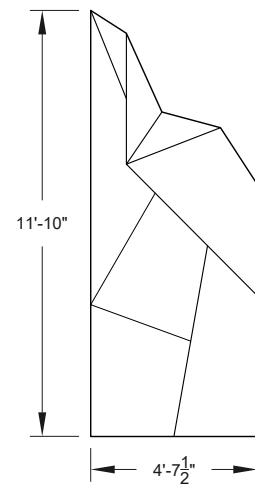


FRONT VIEW
 PLAN VIEW
 SL BOULDER PLATFORM
 SCALE: 3/16" = 1'-0"

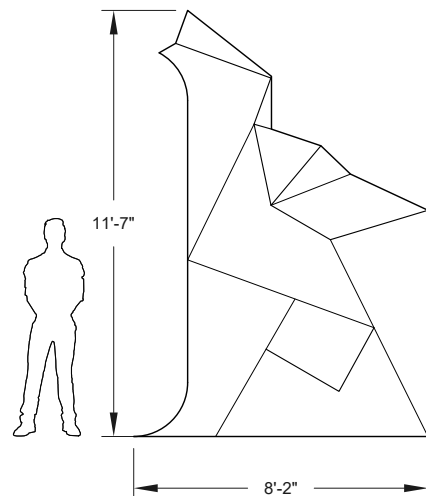
*BOULDERS MADE
 OUT OF FOAM



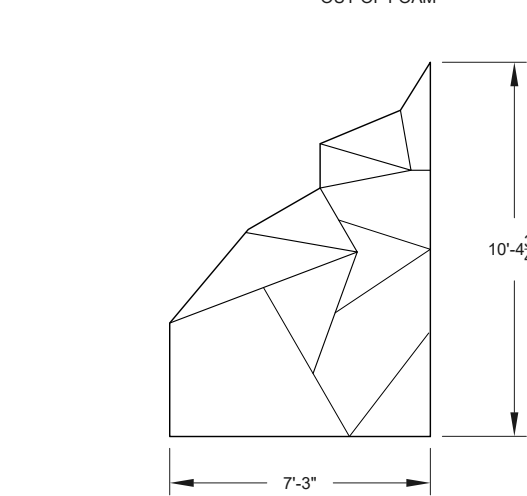
FRONT VIEW
 PLAN VIEW
 BOULDER #1
 SCALE: 3/16" = 1'-0"



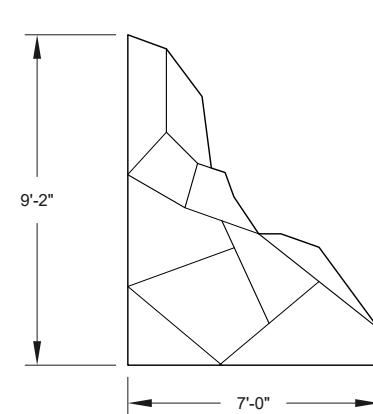
FRONT VIEW
 PLAN VIEW
 BOULDER #2
 SCALE: 3/16" = 1'-0"



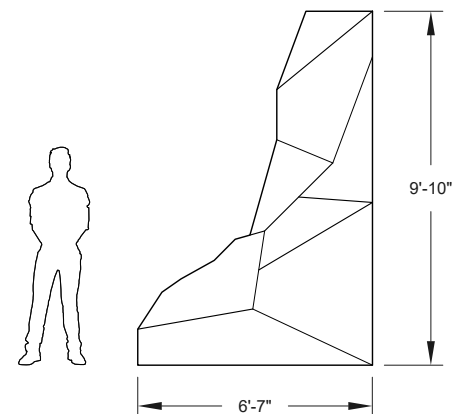
FRONT VIEW
 PLAN VIEW
 BOULDER #3
 SCALE: 3/16" = 1'-0"



FRONT VIEW
 PLAN VIEW
 BOULDER #4
 SCALE: 3/16" = 1'-0"



FRONT VIEW
 PLAN VIEW
 BOULDER #5
 SCALE: 3/16" = 1'-0"



FRONT VIEW
 PLAN VIEW
 BOULDER #6
 SCALE: 3/16" = 1'-0"

NOTE:

THESE DRAWINGS REPRESENT VISUAL CONCEPTS AND CONSTRUCTION SUGGESTIONS ONLY. DESIGNER IS UNQUALIFIED TO DETERMINE STRUCTURAL APPROPRIATENESS AND WILL NOT ASSUME RESPONSIBILITY FOR IMPROPER ENGINEERING, CONSTRUCTION, AND/OR HANDLING OF ITEMS BEING PRODUCED OR MANUFACTURED.

D8

OF 8

brother sister cyborg space

SKY DROP AND BOULDERS

10/03/23

DIRECTOR: TERRY GUEST

DESIGNER: STEVEN ABBOTT

TD: BEN LIPINSKI

DRAFTED BY: STEVEN ABBOTT

RAVEN THEATRE
 EAST THEATER