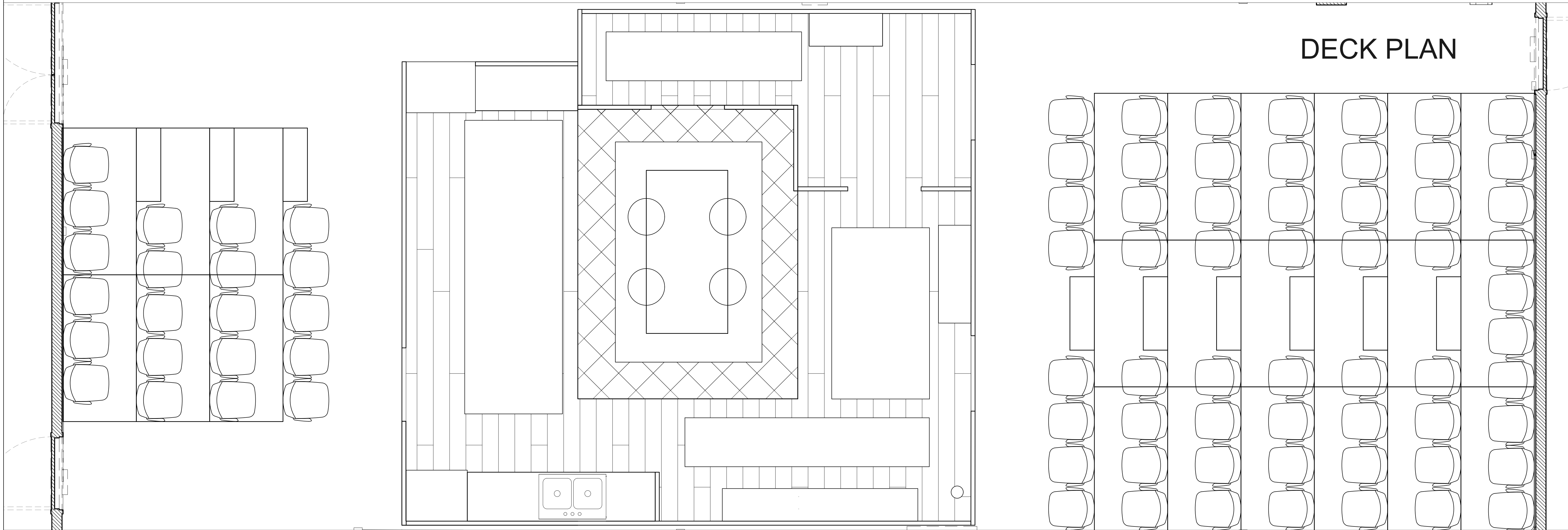


SEAT COUNT: 79



DECK PLAN

ABOUT FACE THEATRE

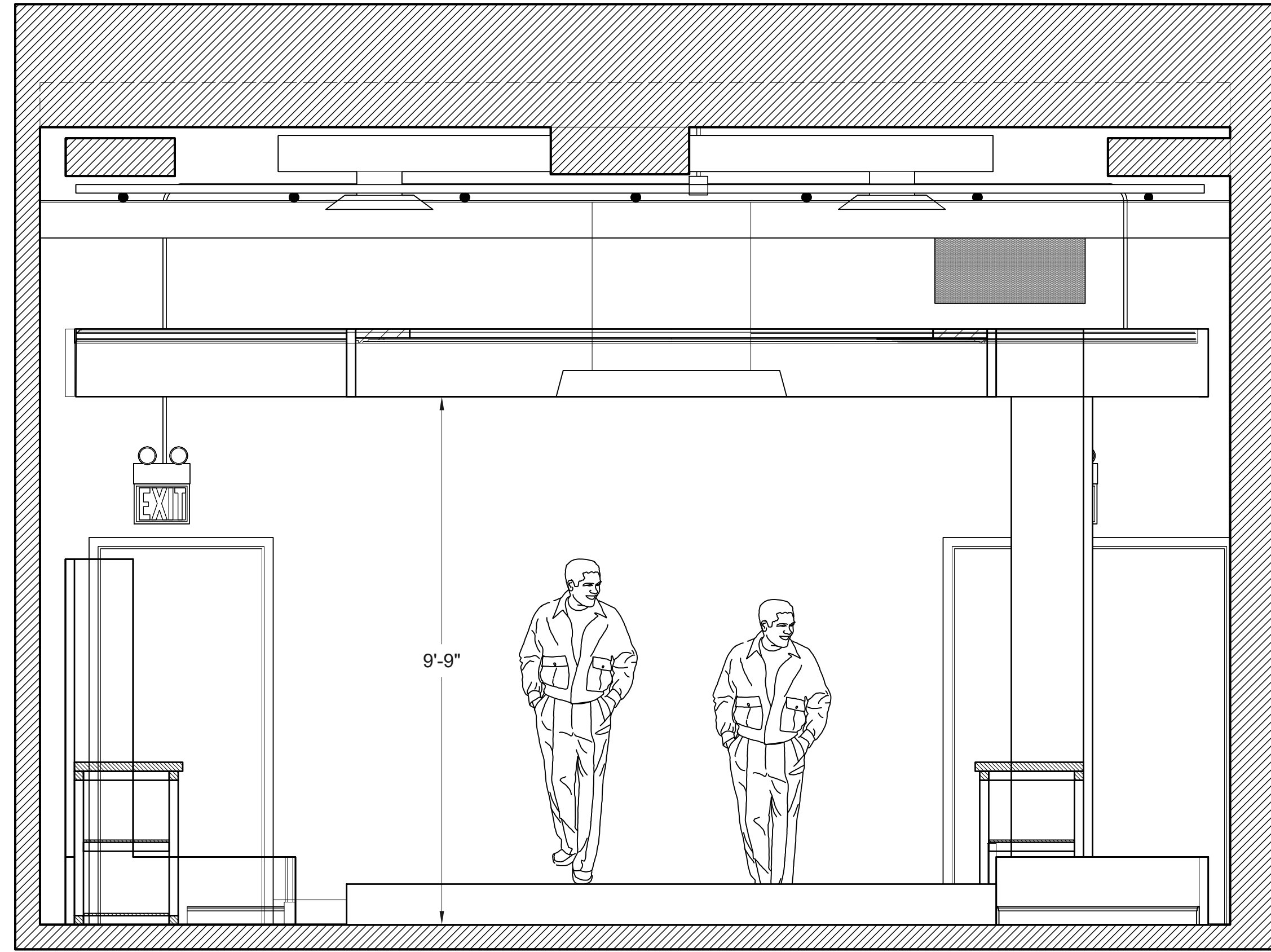
DIRECTOR: SOPHIYAA NAYAR  
 DESIGNER: STEVEN ABBOTT  
 TD: KYLE MCDERMOTT  
 DRAFTED BY: STEVEN ABBOTT

MOSQUE4MOSQUE

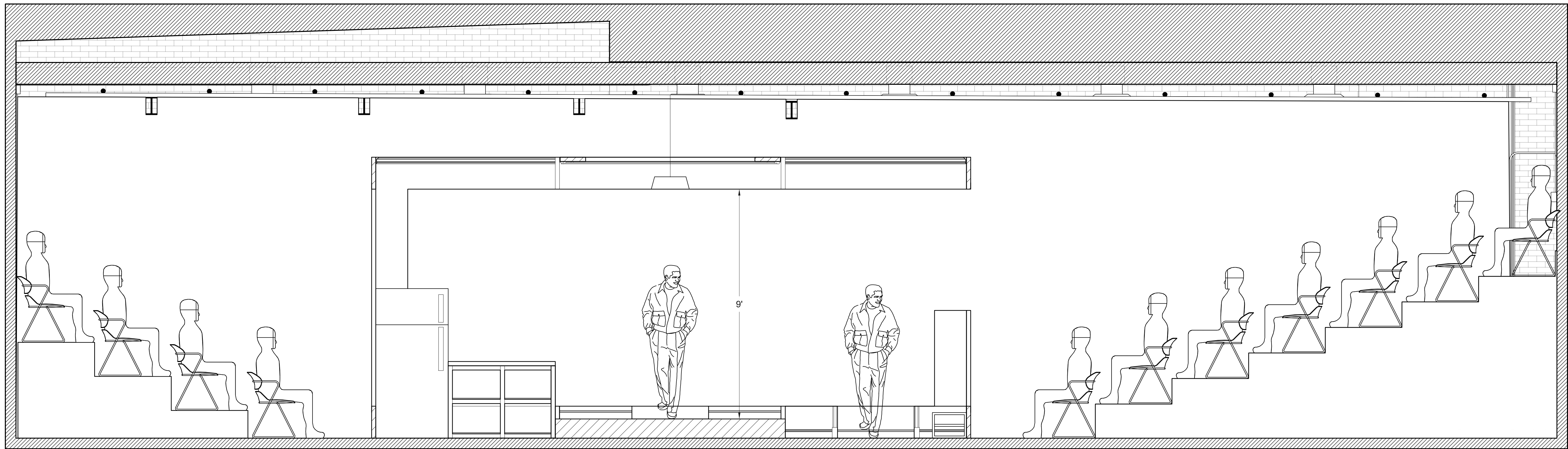
GROUNDPLAN

SCALE: 1/2"=1'-0"

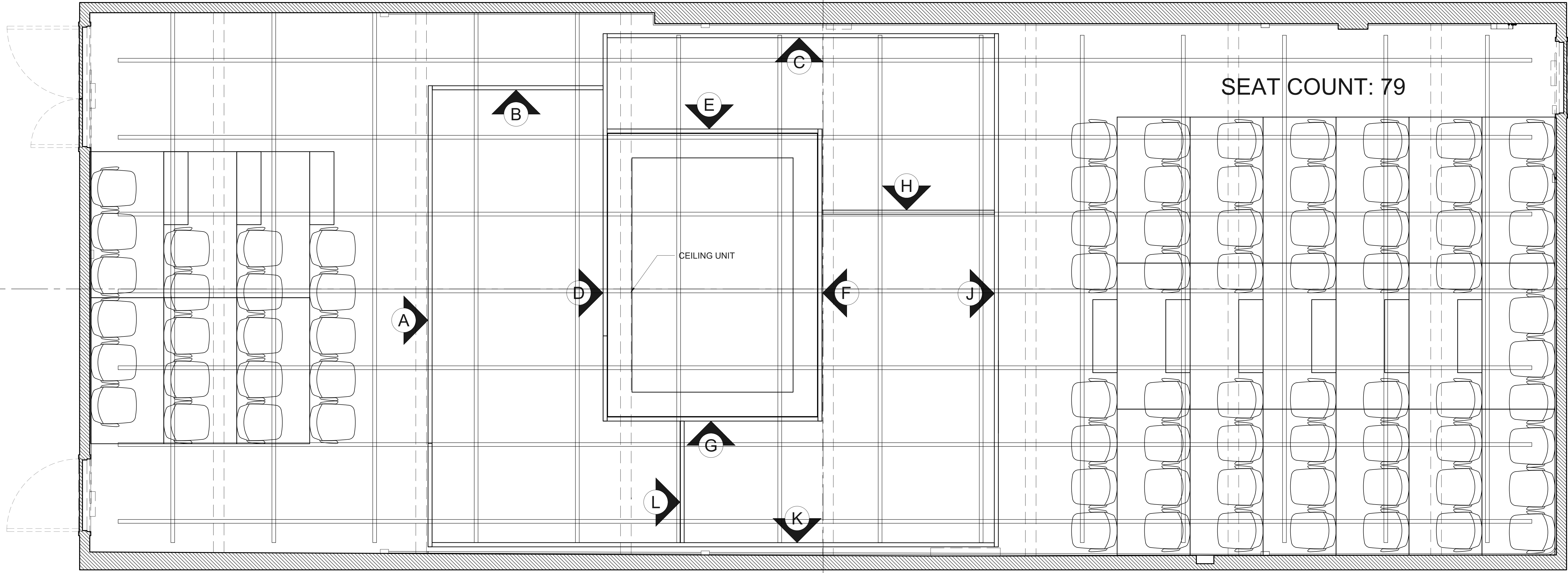
11/01/2022



NORTH WALL SECTION  
SCALE: 1/2" = 1'-0"



EAST WALL SECTION  
SCALE: 1/2" = 1'-0"



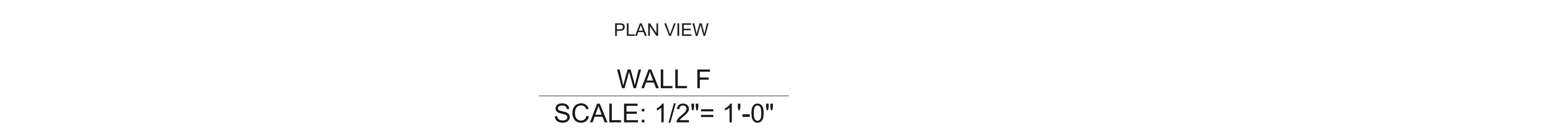
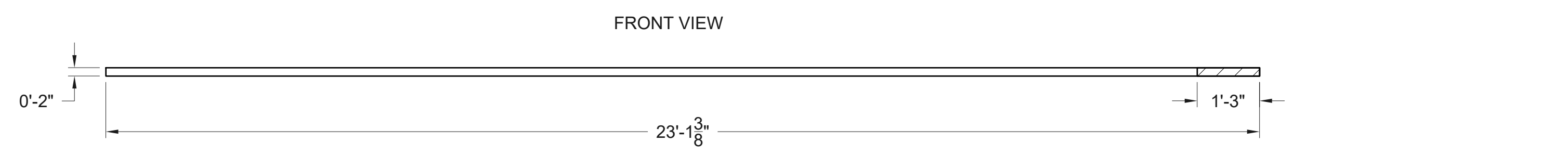
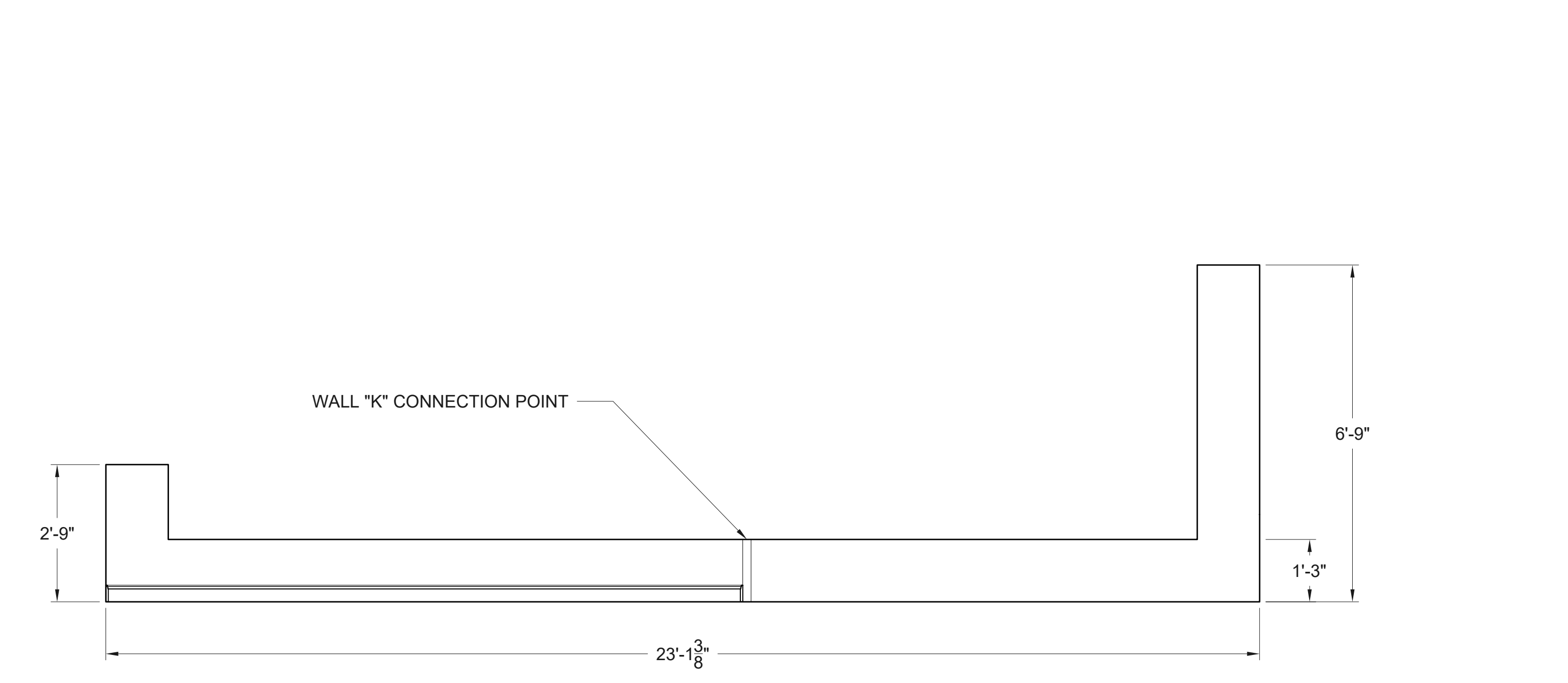
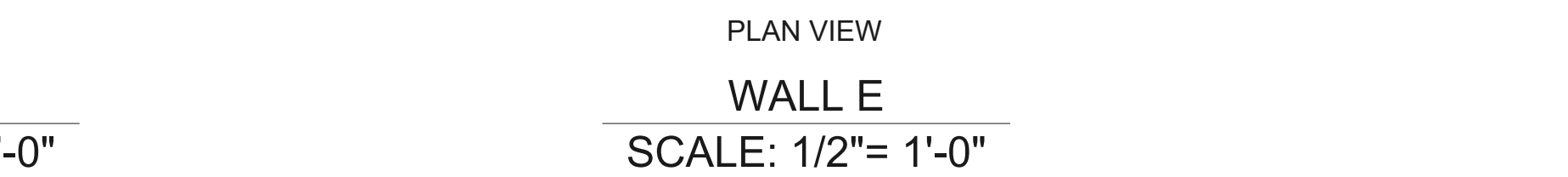
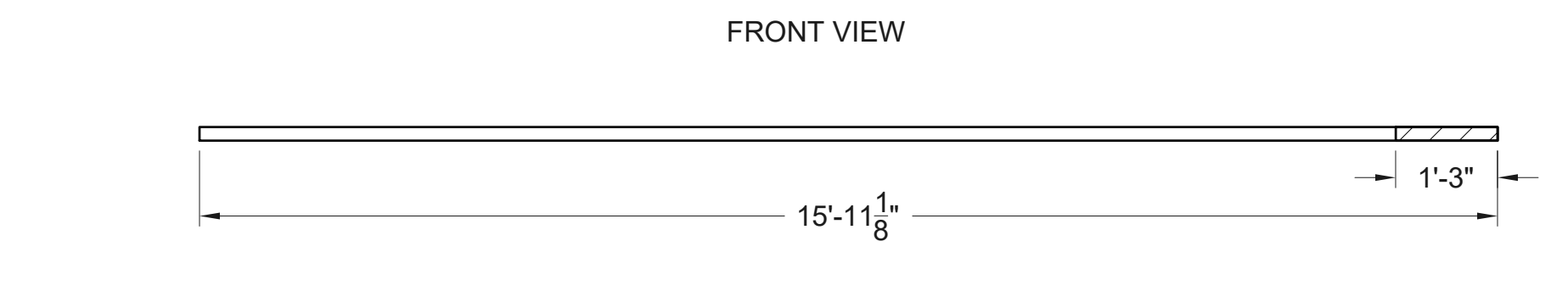
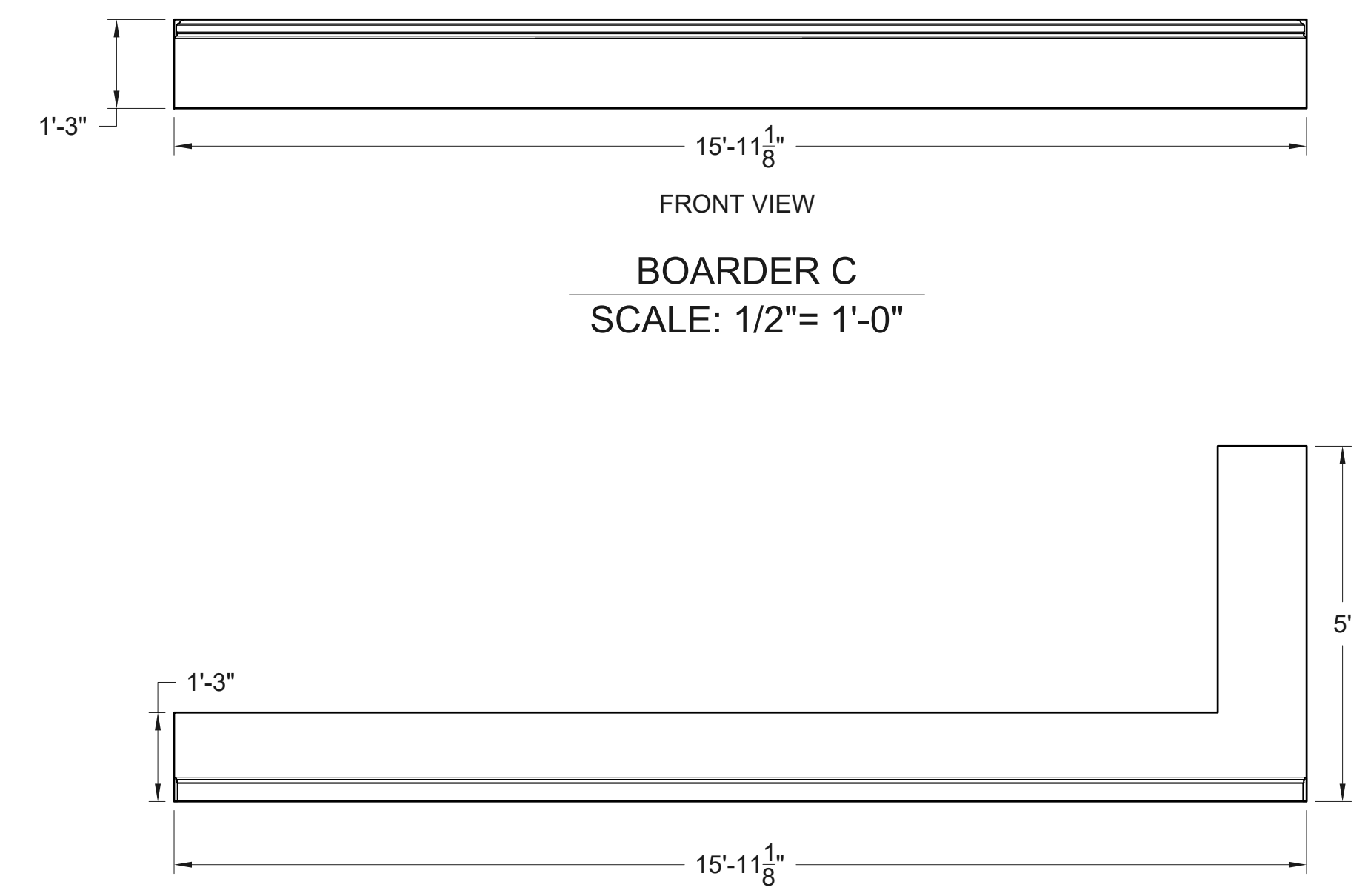
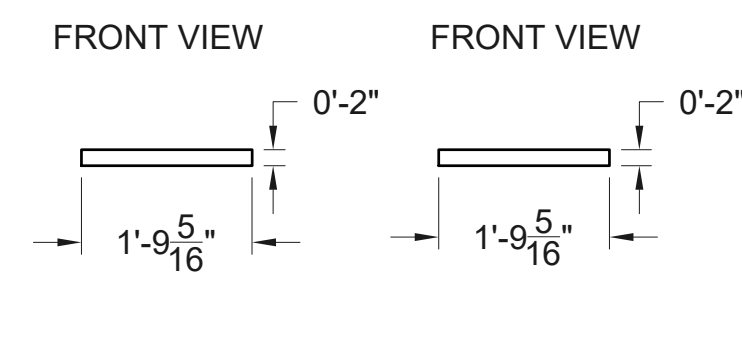
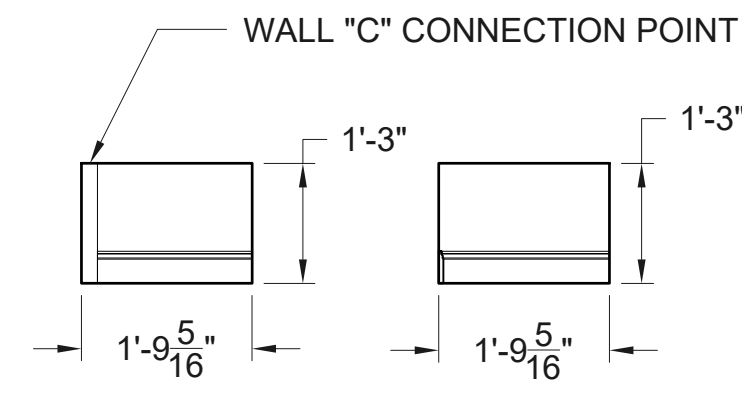
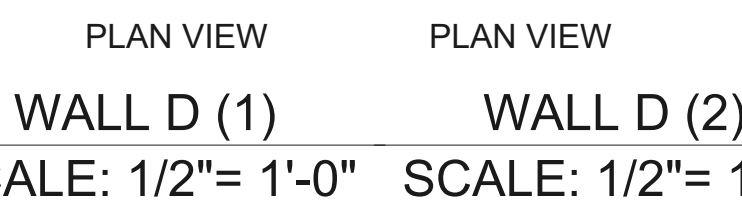
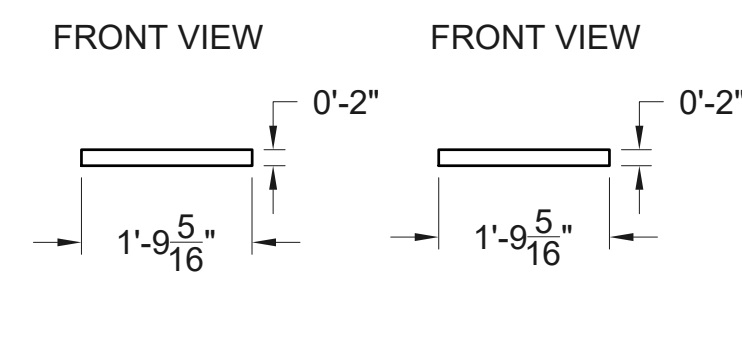
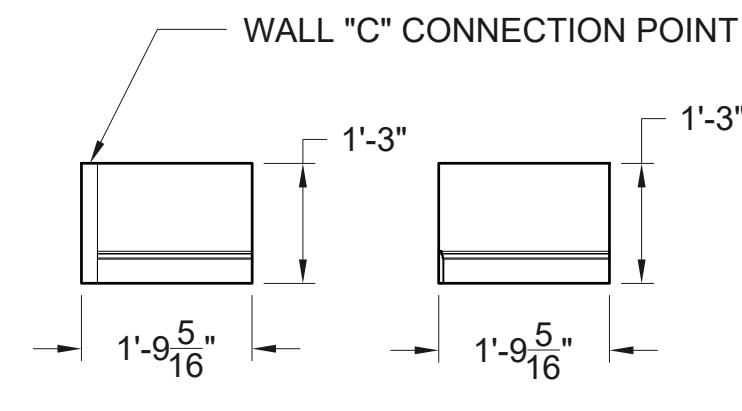
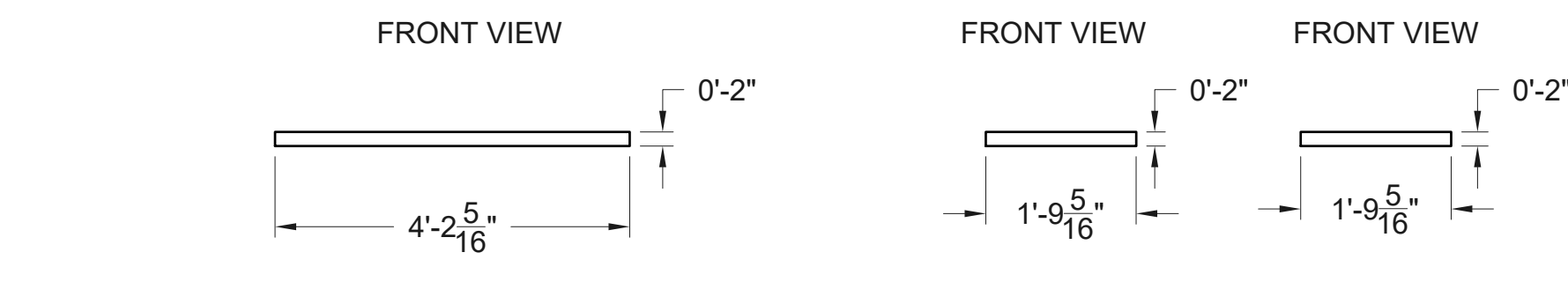
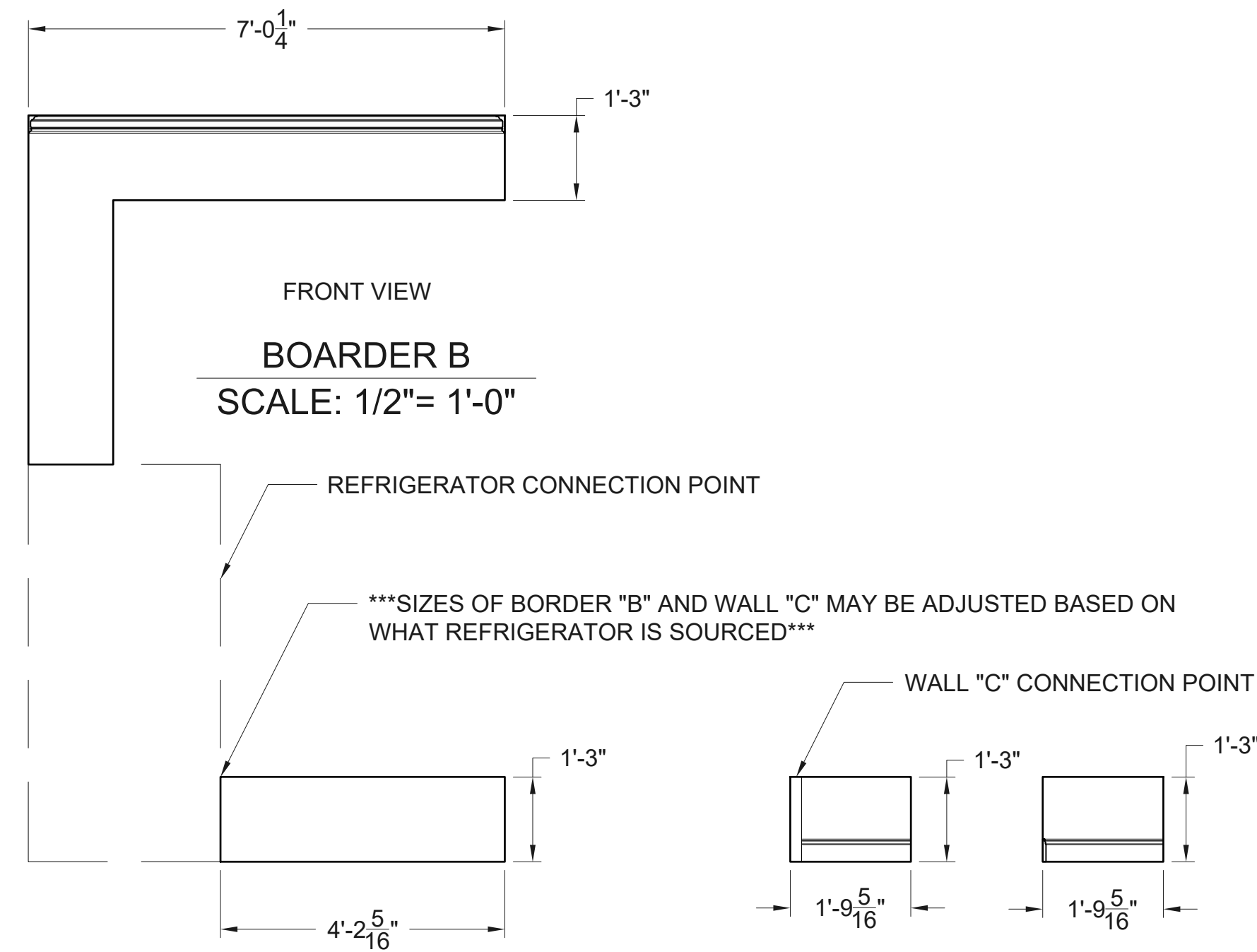
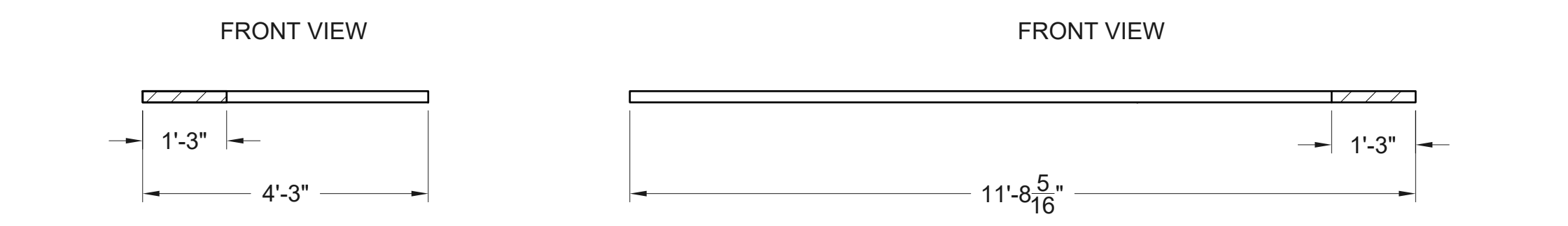
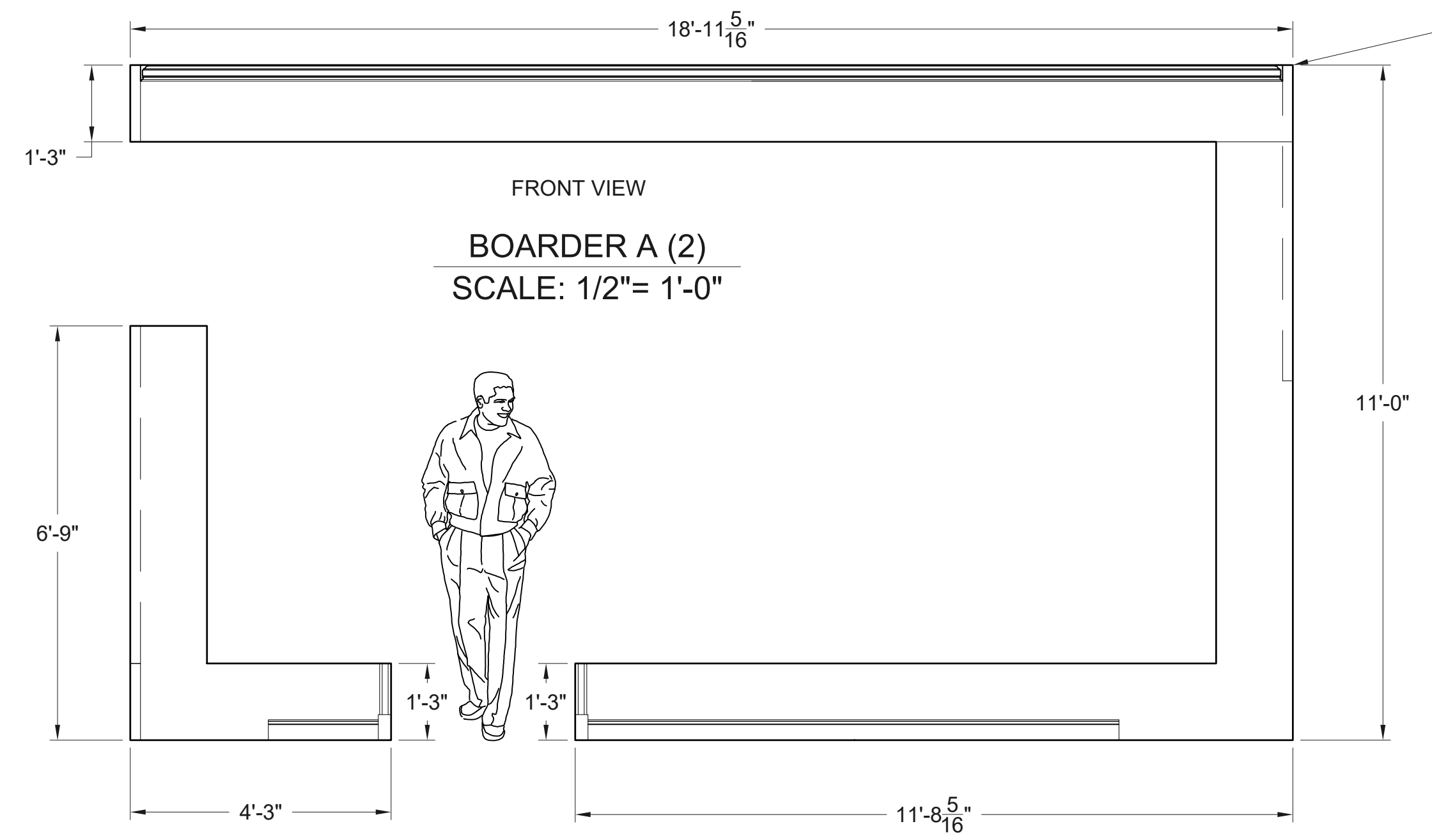
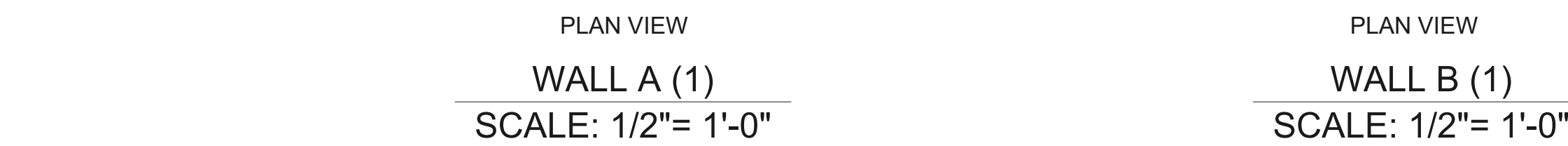
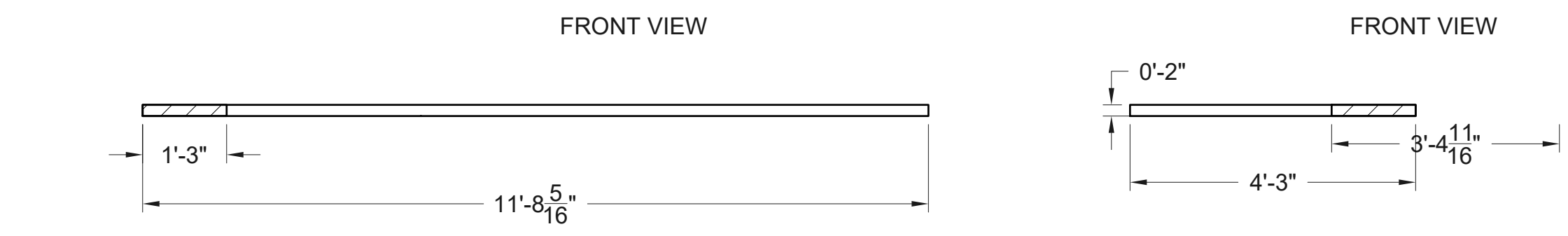
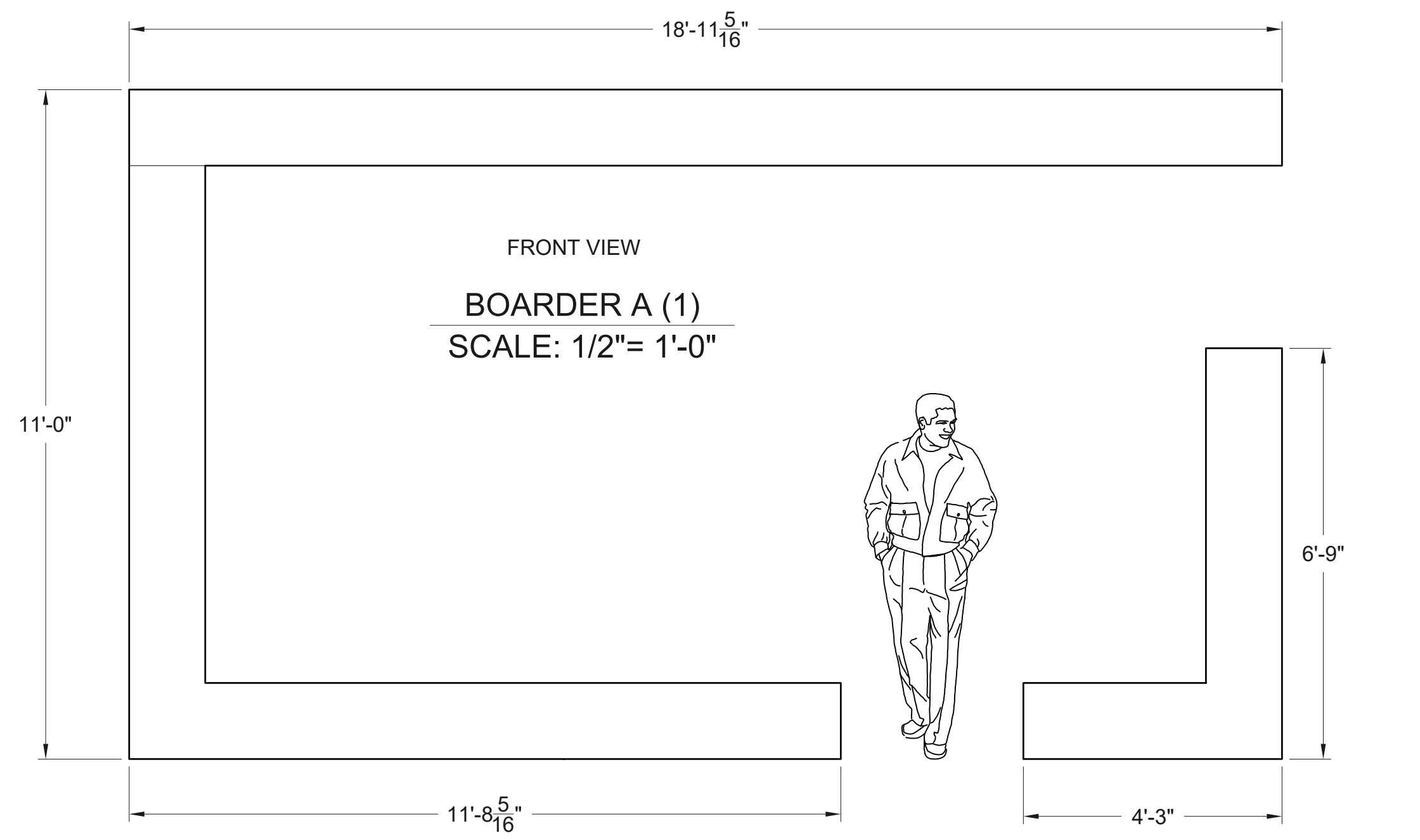
FLY SCHEDULE  
SCALE: 1/2" = 1'-0"

ABOUT FACE THEATRE

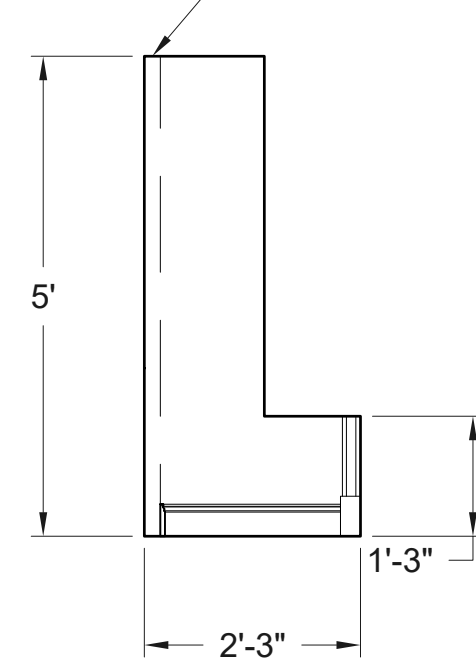
DIRECTOR: SOPHIYAA NAYAR  
DESIGNER: STEVEN ABBOTT  
TD: KYLE MCDERMOTT  
DRAFTED BY: STEVEN ABBOTT

MOSQUE4MOSQUE

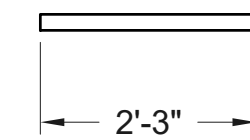
FLY SCHEDULE  
SCALE: 1/2"=1'-0"  
11/01/2022



WALL "E" CONNECTION POINT



FRONT VIEW

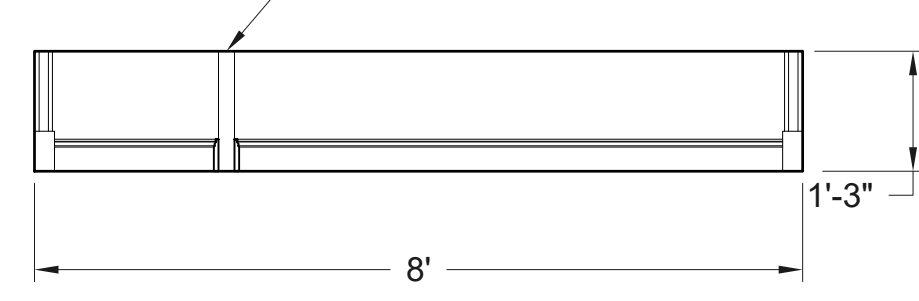


PLAN VIEW

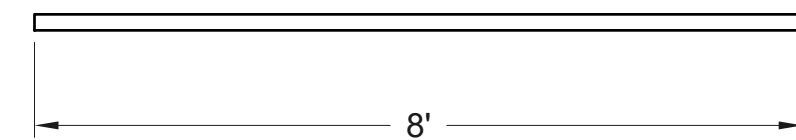
WALL G (1)

SCALE: 1/2"= 1'-0"

WALL "M" CONNECTION POINT



FRONT VIEW

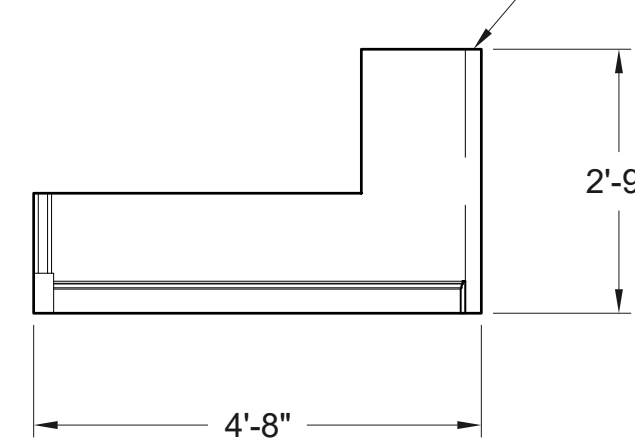


PLAN VIEW

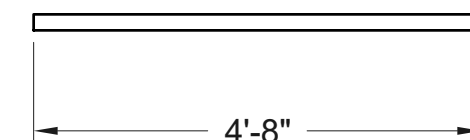
WALL H (1)

SCALE: 1/2"= 1'-0"

WALL "F" CONNECTION POINT



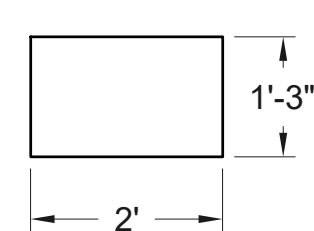
FRONT VIEW



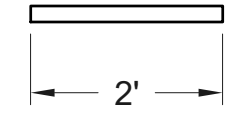
PLAN VIEW

WALL J (1)

SCALE: 1/2"= 1'-0"



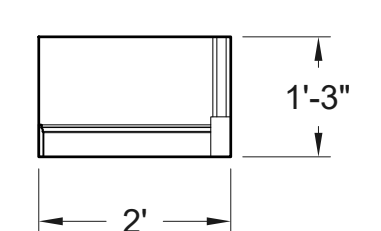
FRONT VIEW



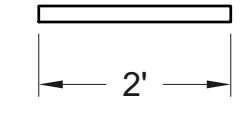
PLAN VIEW

WALL K (1)

SCALE: 1/2"= 1'-0"



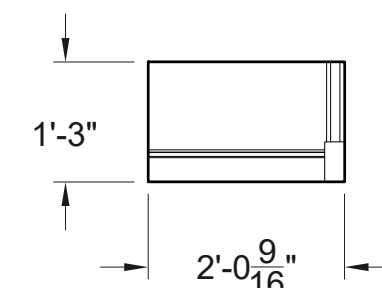
FRONT VIEW



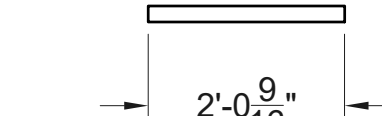
PLAN VIEW

WALL K (2)

SCALE: 1/2"= 1'-0"



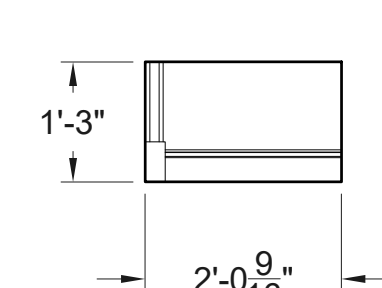
FRONT VIEW



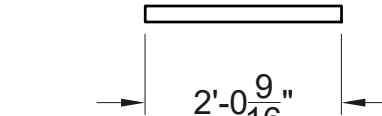
PLAN VIEW

WALL L (1)

SCALE: 1/2"= 1'-0"



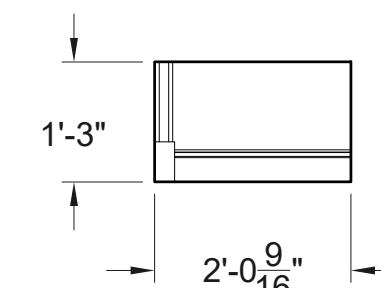
FRONT VIEW



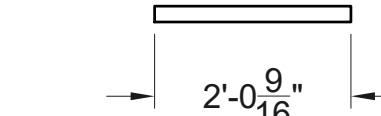
PLAN VIEW

WALL L (2)

SCALE: 1/2"= 1'-0"



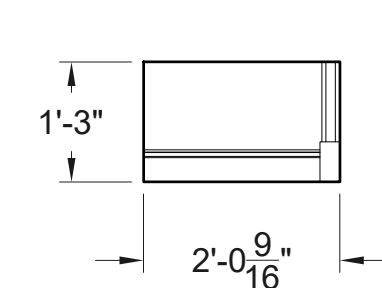
FRONT VIEW



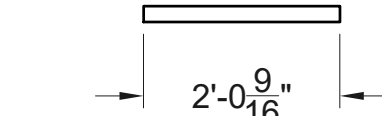
PLAN VIEW

WALL M (1)

SCALE: 1/2"= 1'-0"



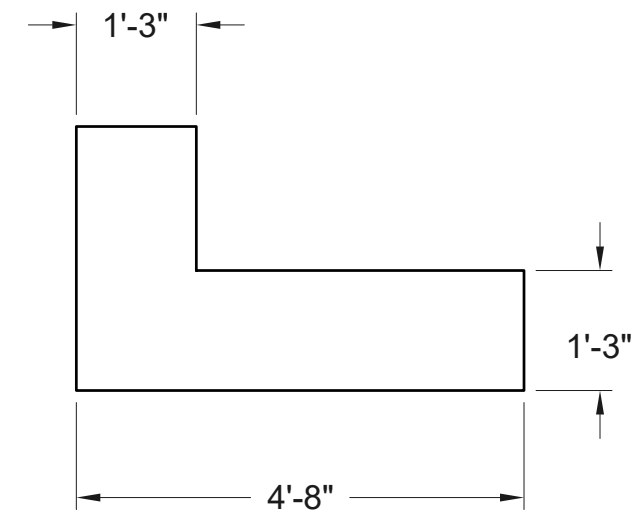
FRONT VIEW



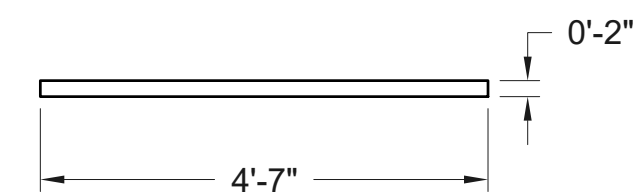
PLAN VIEW

WALL M (2)

SCALE: 1/2"= 1'-0"



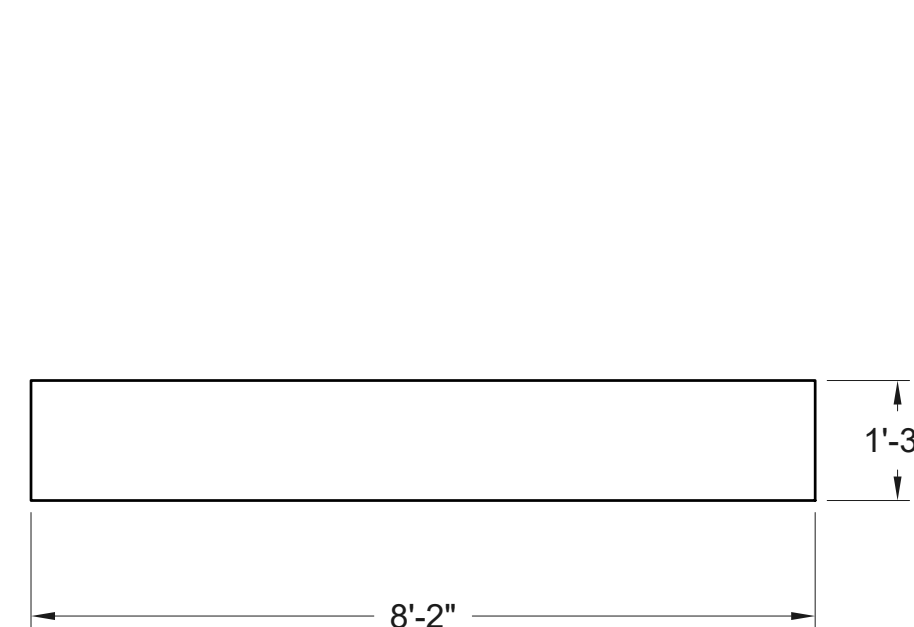
FRONT VIEW



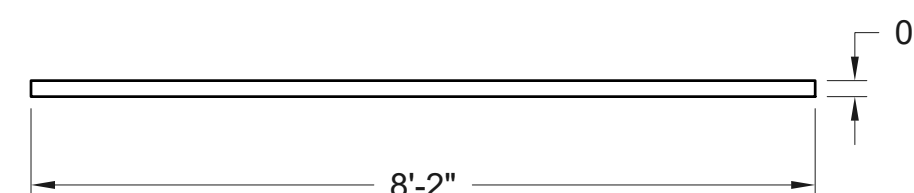
PLAN VIEW

WALL J (2)

SCALE: 1/2"= 1'-0"



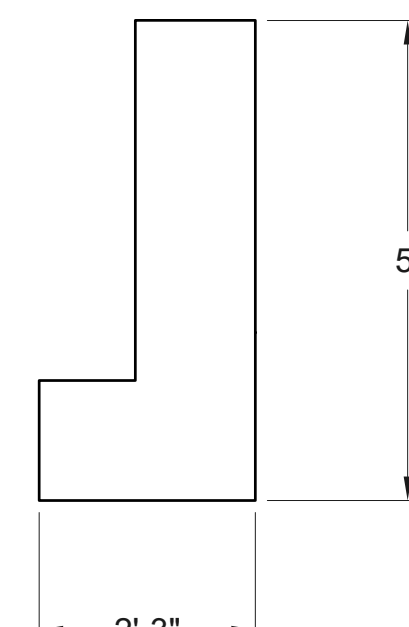
FRONT VIEW



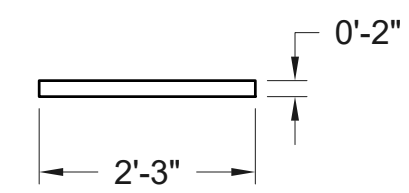
PLAN VIEW

WALL H (2)

SCALE: 1/2"= 1'-0"



FRONT VIEW

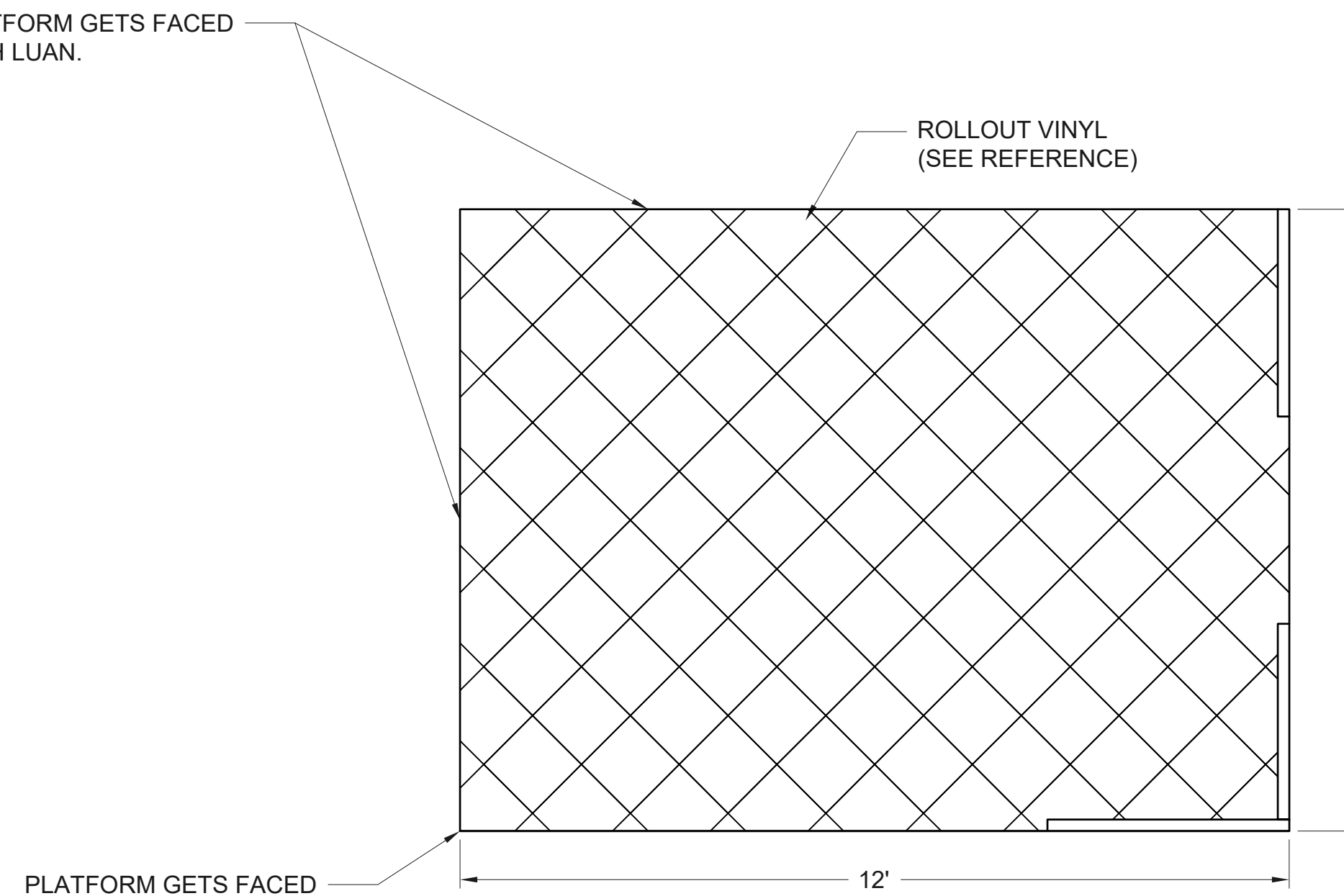


PLAN VIEW

WALL G (2)

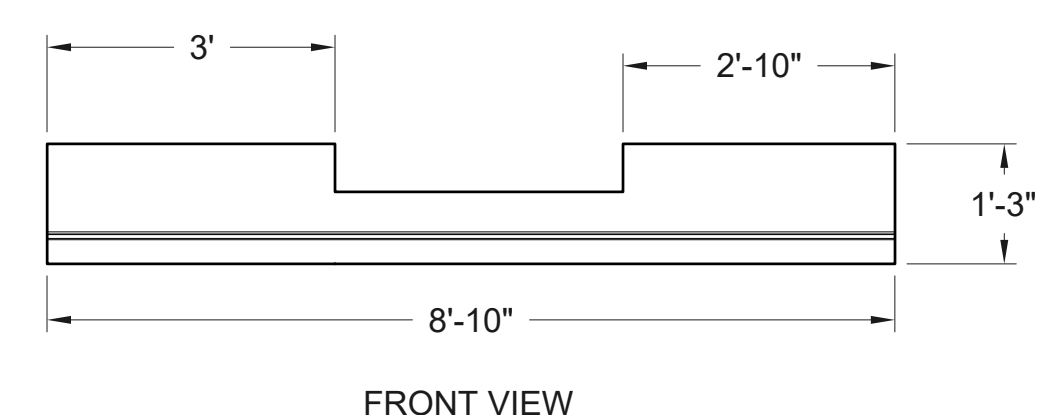
SCALE: 1/2"= 1'-0"

PLATFORM GETS FACED WITH LUAN.

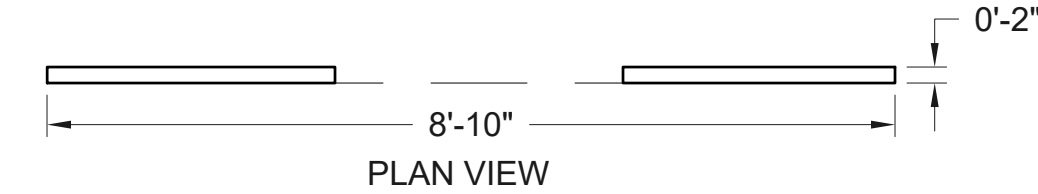


CENTER PLATFORM

SCALE: 1/2"= 1'-0"



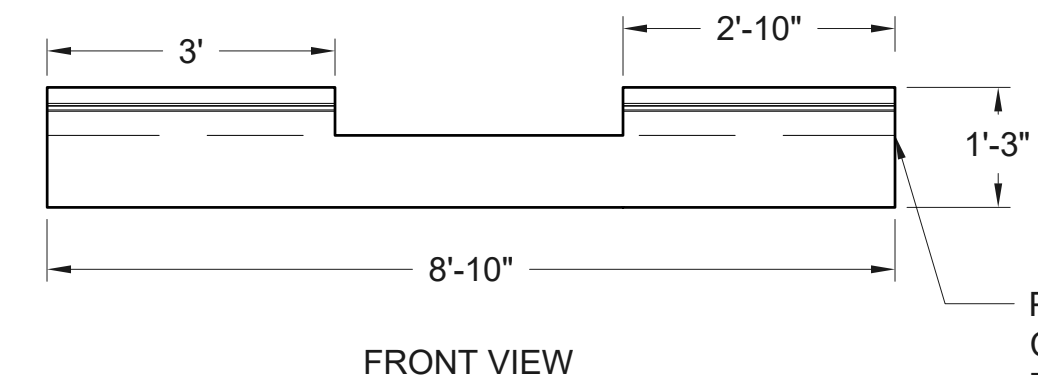
FRONT VIEW



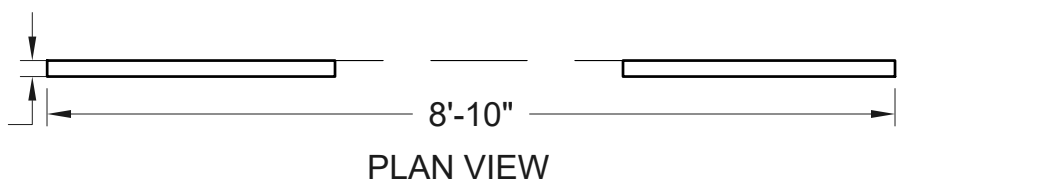
PLAN VIEW

WALL P (1)

SCALE: 1/2"= 1'-0"



FRONT VIEW

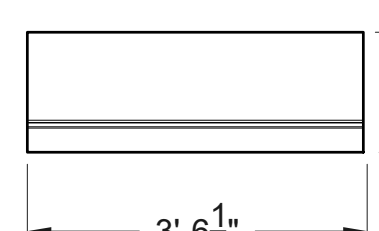


PLAN VIEW

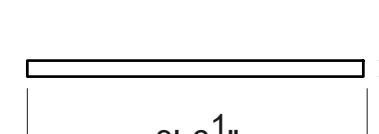
WALL P (2)

SCALE: 1/2"= 1'-0"

PLATFORM CONNECTION POINT



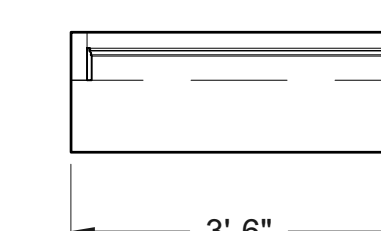
FRONT VIEW



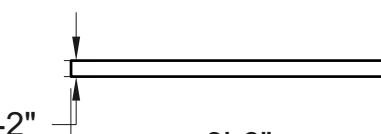
PLAN VIEW

WALL Q (1)

SCALE: 1/2"= 1'-0"



FRONT VIEW



PLAN VIEW

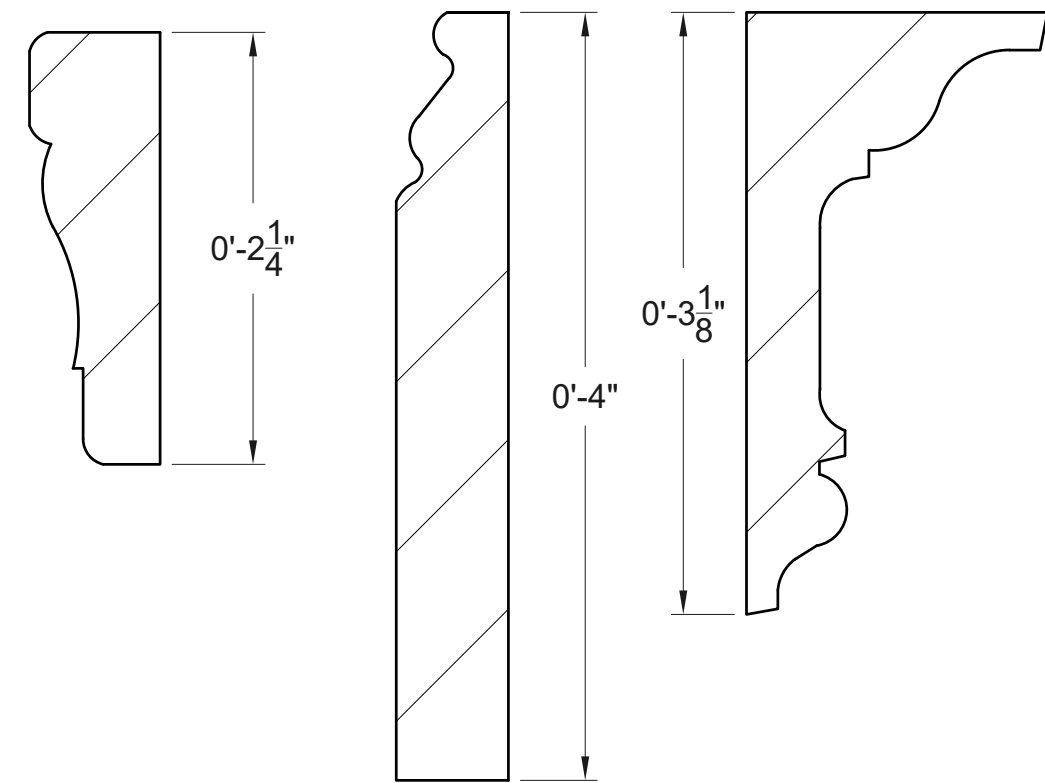
WALL Q (2)

SCALE: 1/2"= 1'-0"

M4M VINYL.jpg

LOWE'S ITEM #737337

VINYL ROLLOUT REFERENCE



MOLDING DETAIL SECTION  
SCALE: 1'-0"= 1'-0"

LOWE'S ITEM #34660    LOWE'S ITEM #96493    LOWE'S ITEM #3529744

DOOR FRAME    BASEBOARD    CROWN MOLDING

