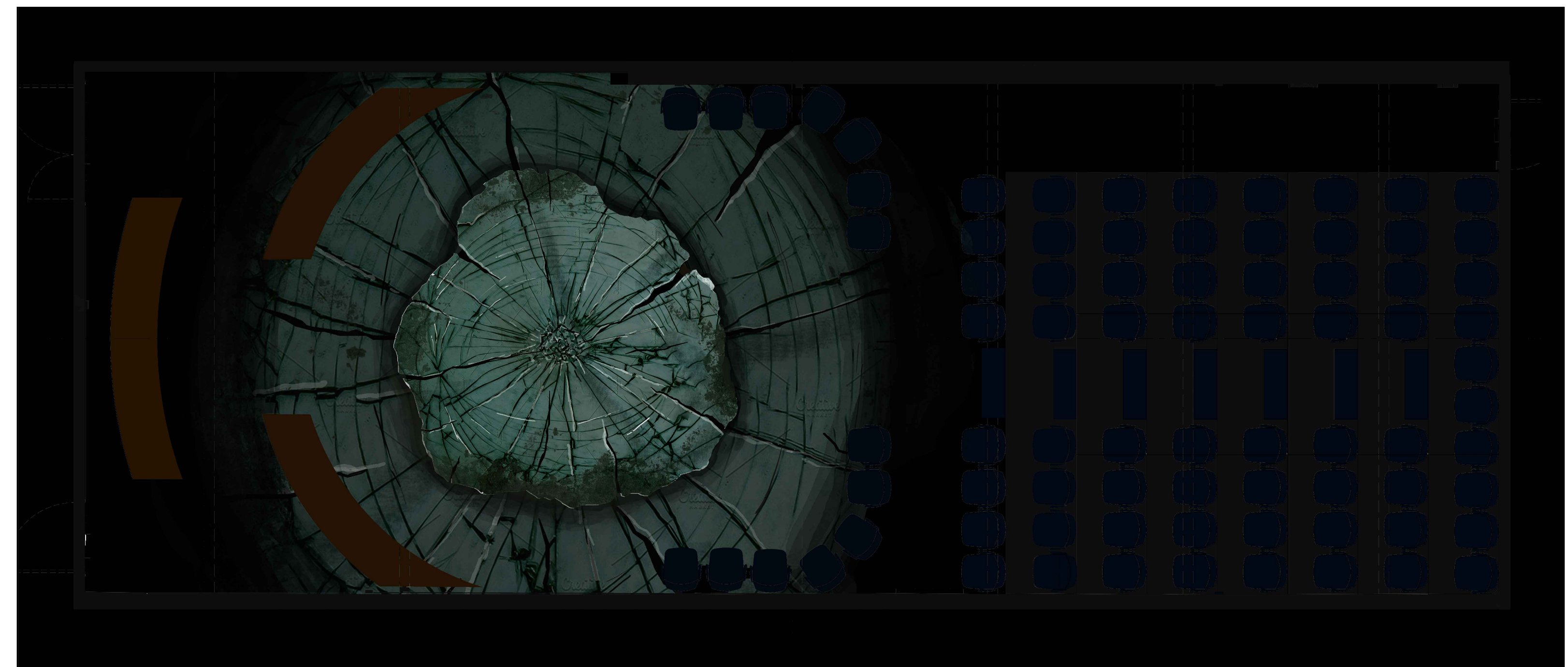


GROUND PLAN
SCALE: 1/2" = 1'-0"

NOTE:

THESE DRAWINGS REPRESENT VISUAL CONCEPTS AND CONSTRUCTION SUGGESTIONS ONLY. DESIGNER IS UNQUALIFIED TO DETERMINE STRUCTURAL APPROPRIATENESS AND WILL NOT ASSUME RESPONSIBILITY FOR IMPROPER ENGINEERING, CONSTRUCTION, AND/OR HANDLING OF ITEMS BEING PRODUCED OR MANUFACTURED.



FLOOR PAINT TREATMENT
NOT TO SCALE

THE MAGNOLIA BALLET

DIRECTOR: MIKAEL BURKE
DESIGNER: STEVEN ABBOTT
TD: BECCA VENABLE
DRAFTED BY: STEVEN ABBOTT

GROUNDPLAN
SCALE: 1/2" = 1'-0"
03/31/2022

THE MAGNOLIA BALLET

DIRECTOR: MIKAEL BURKE

DESIGNER: STEVEN ABBOTT

TD: BECCA VENABLE

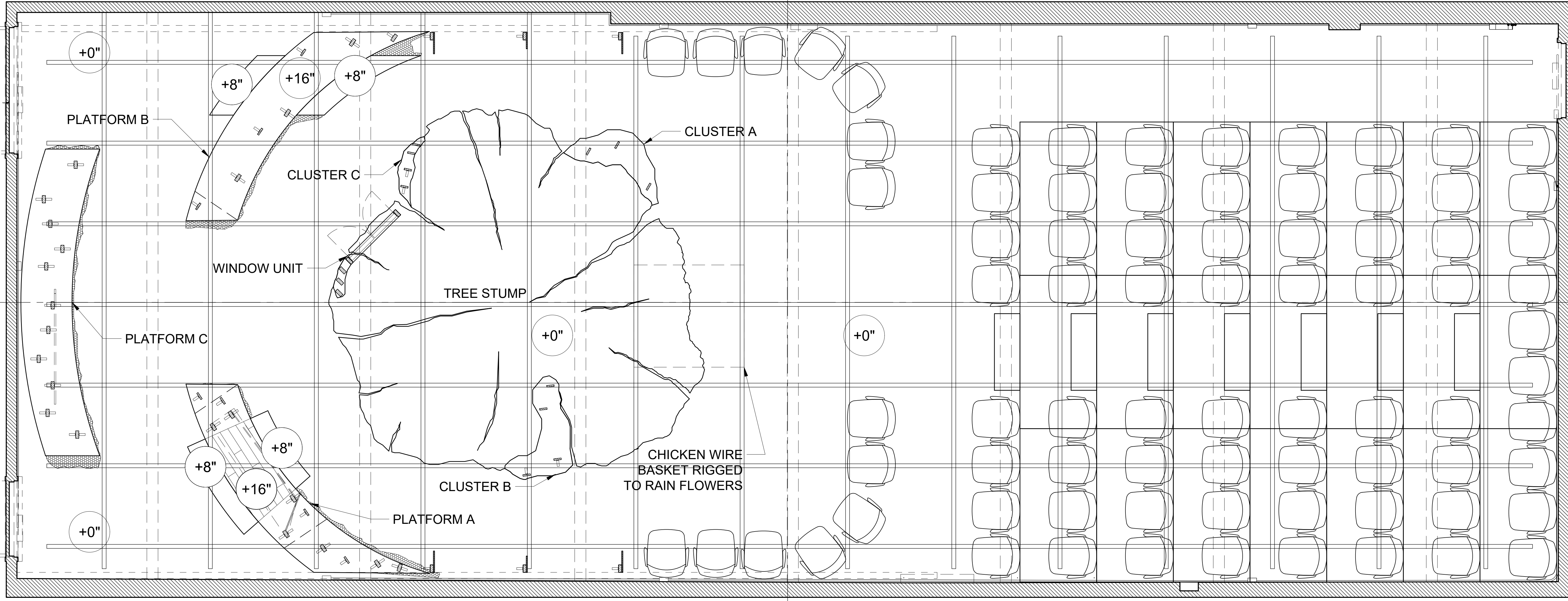
DRAFTED BY: STEVEN ABBOTT

GROUNDPLAN WITH GRID

03/31/2022

SCALE: 1/2" = 1'-0"

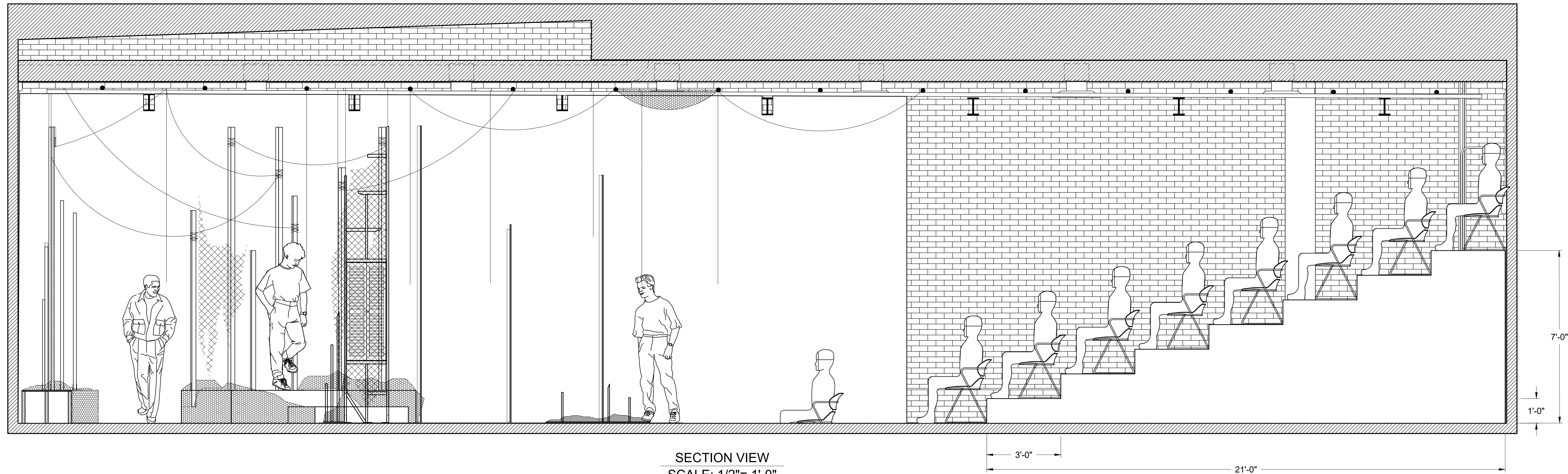
ABOUT FACE THEATRE



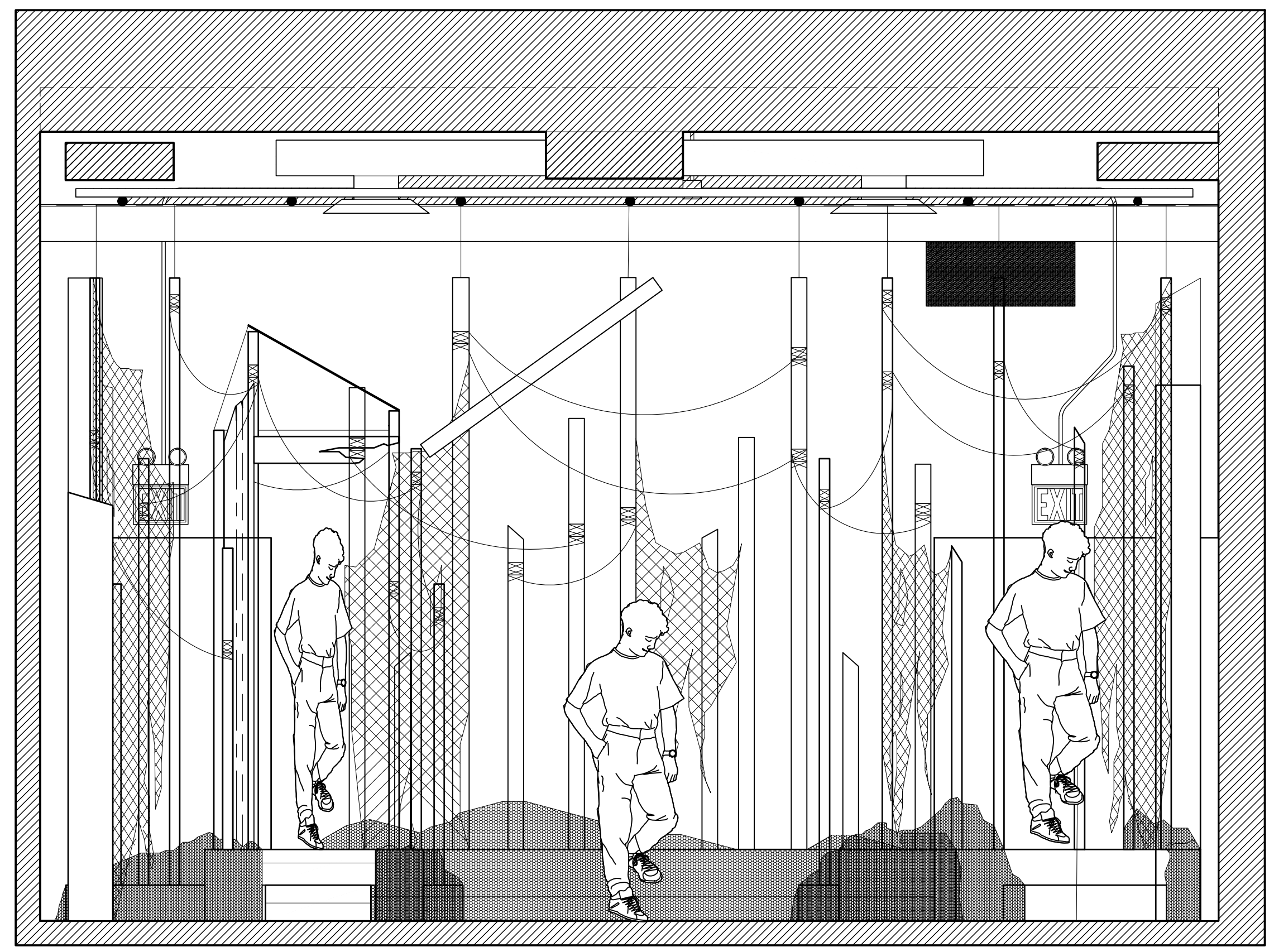
GROUND PLAN WITH GRID
SCALE: 1/2" = 1'-0"

NOTE:

THESE DRAWINGS REPRESENT VISUAL CONCEPTS AND CONSTRUCTION SUGGESTIONS ONLY. DESIGNER IS UNQUALIFIED TO DETERMINE STRUCTURAL APPROPRIATENESS AND WILL NOT ASSUME RESPONSIBILITY FOR IMPROPER ENGINEERING, CONSTRUCTION, AND/OR HANDLING OF ITEMS BEING PRODUCED OR MANUFACTURED.



SECTION VIEW
SCALE: 1/2" = 1'-0"



FRONT ELEVATION
SCALE: 1/2" = 1'-0"

NOTE:

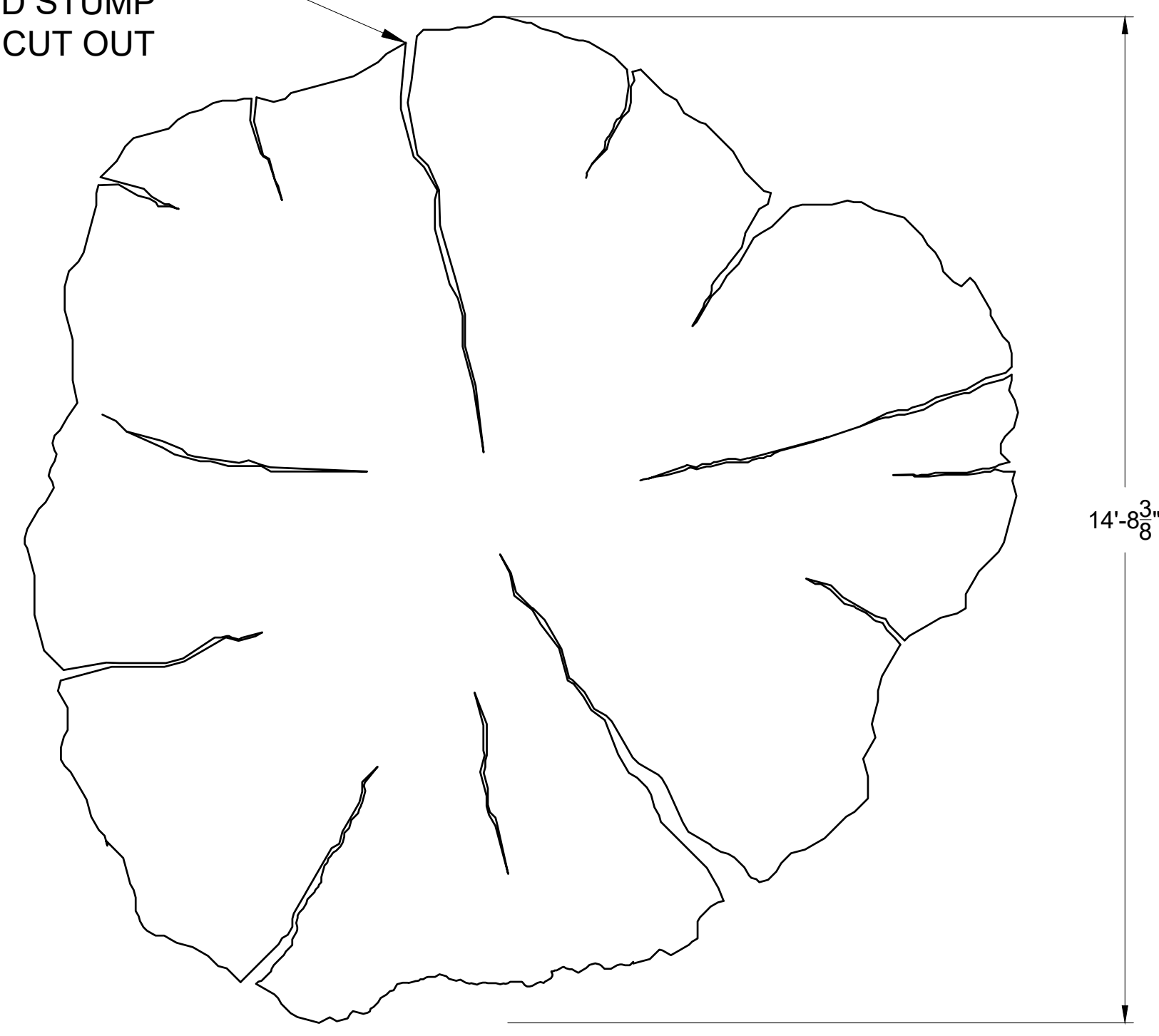
THESE DRAWINGS REPRESENT VISUAL CONCEPTS AND CONSTRUCTION SUGGESTIONS ONLY. DESIGNER IS UNQUALIFIED TO DETERMINE STRUCTURAL APPROPRIATENESS AND WILL NOT ASSUME RESPONSIBILITY FOR IMPROPER ENGINEERING, CONSTRUCTION, AND/OR HANDLING OF ITEMS BEING PRODUCED OR MANUFACTURED.

THE MAGNOLIA BALLET

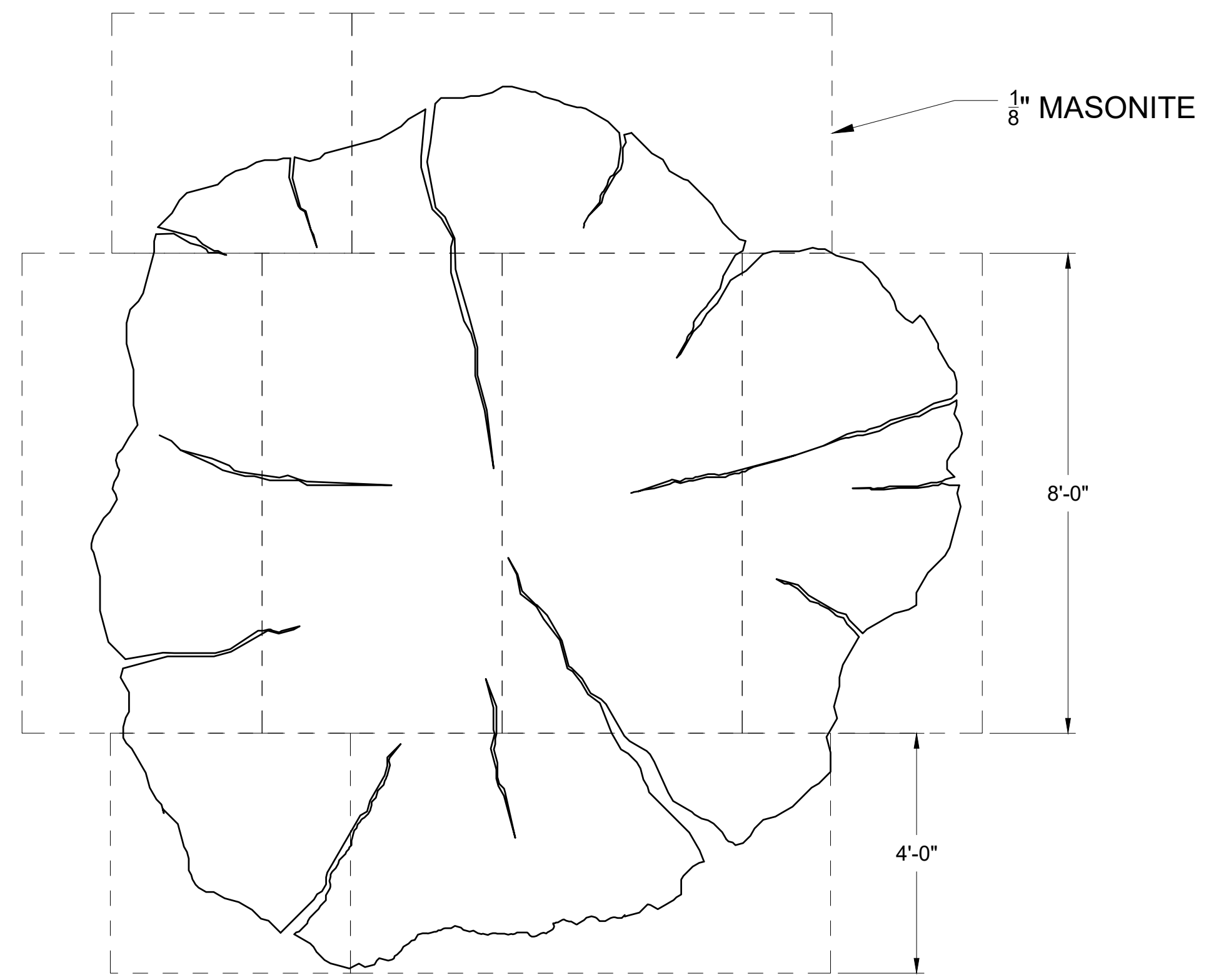
SECTION VIEW
SCALE: 1/2" = 1'-0"
03/31/2022

DIRECTOR: MIKAEL BURKE
DESIGNER: STEVEN ABBOTT
TD: BECCA VENABLE
DRAFTED BY: STEVEN ABBOTT

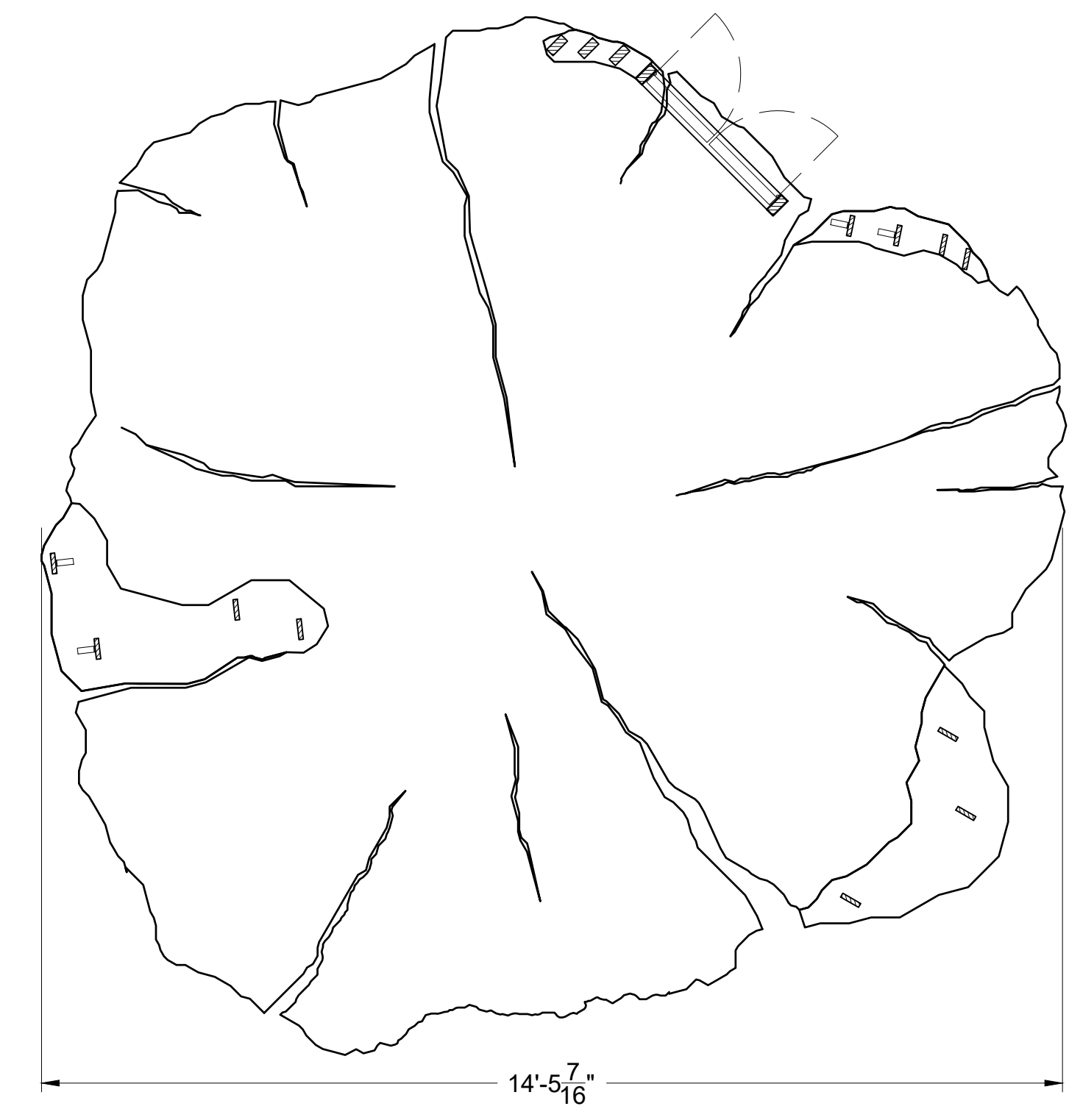
CRACKS IN AND AROUND STUMP ARE CUT OUT



PLAN VIEW



MASONITE MAPPING
TREE STUMP
SCALE: 1/2" = 1'-0"



DECK PLAN



STUMP RESEARCH IMAGE #1



STUMP RESEARCH IMAGE #2



STUMP RESEARCH IMAGE #3

NOTE:
THESE DRAWINGS REPRESENT VISUAL CONCEPTS AND CONSTRUCTION SUGGESTIONS ONLY. DESIGNER IS UNQUALIFIED TO DETERMINE STRUCTURAL APPROPRIATENESS AND WILL NOT ASSUME RESPONSIBILITY FOR IMPROPER ENGINEERING, CONSTRUCTION, AND/OR HANDLING OF ITEMS BEING PRODUCED OR MANUFACTURED.

THE MAGNOLIA BALLET

WINDOW UNIT, CLUSTERS, AND WINGS

03/31/2022

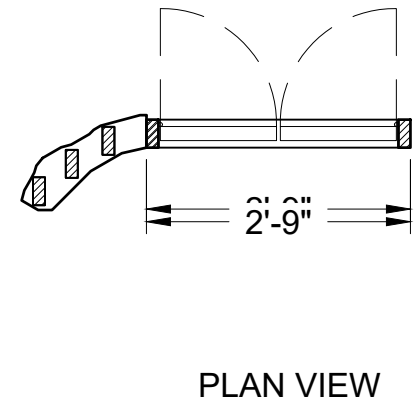
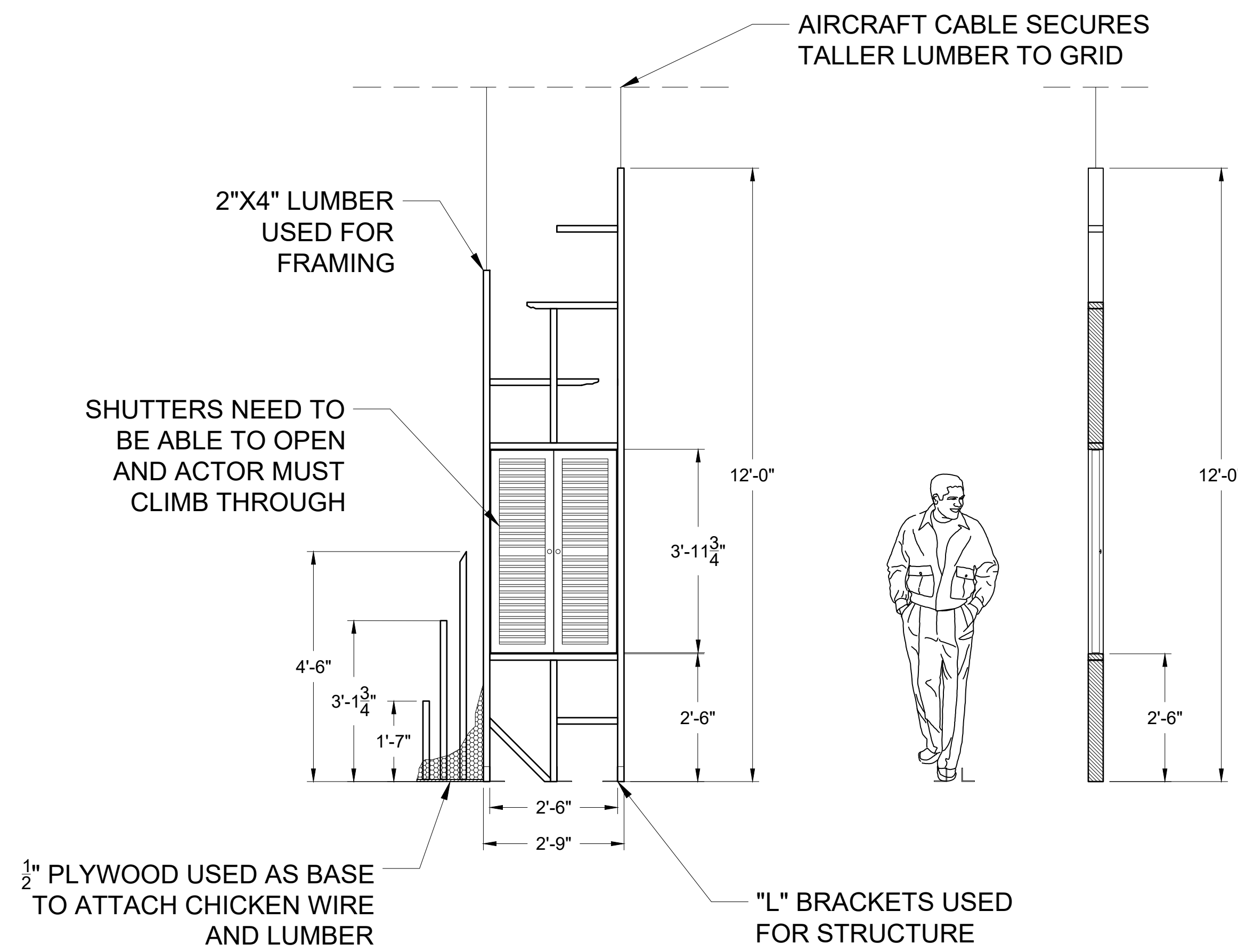
DIRECTOR: MIKAEL BURKE

DESIGNER: STEVEN ABBOTT

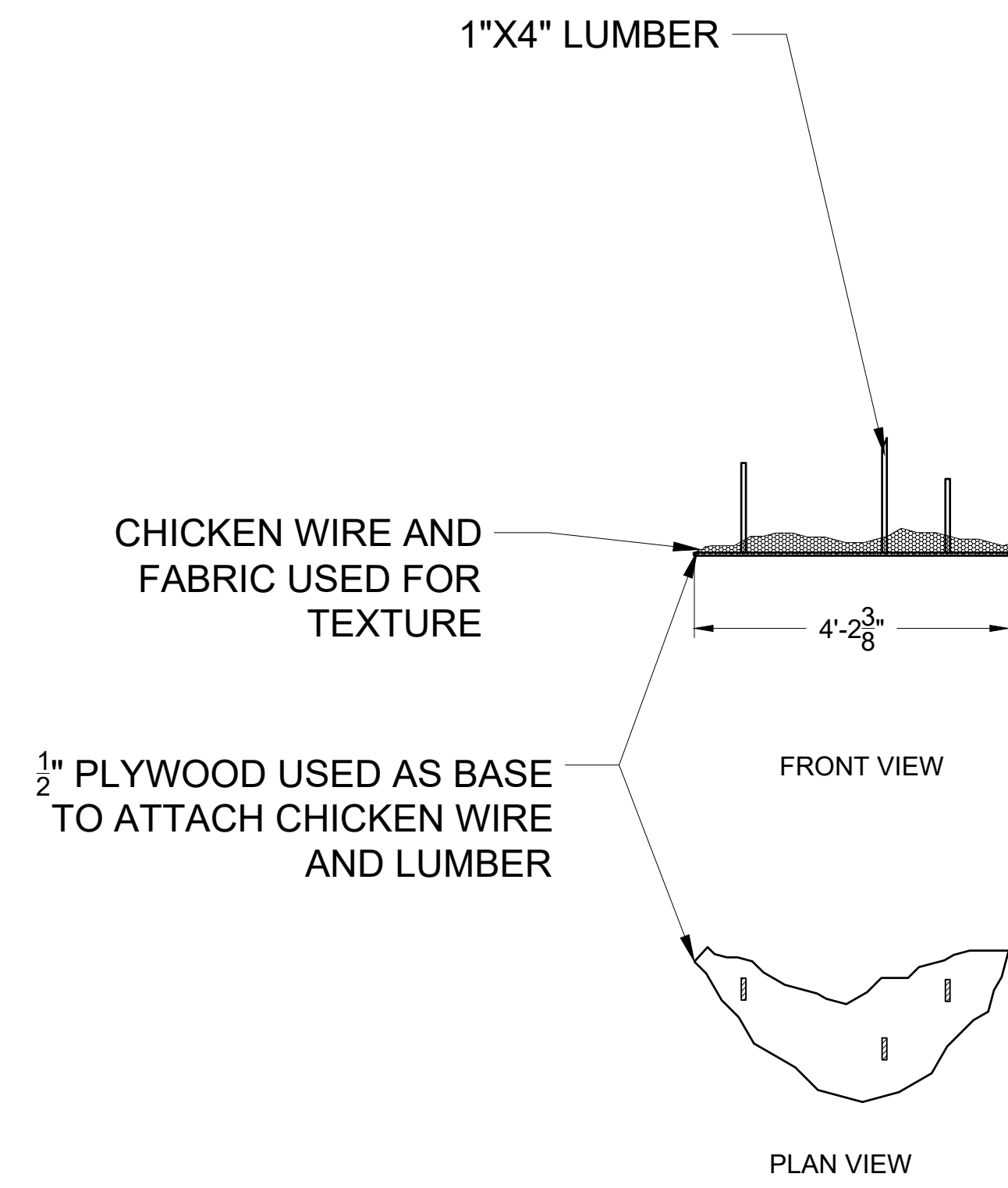
TD: BECCA VENABLE

DRAFTED BY: STEVEN ABBOTT

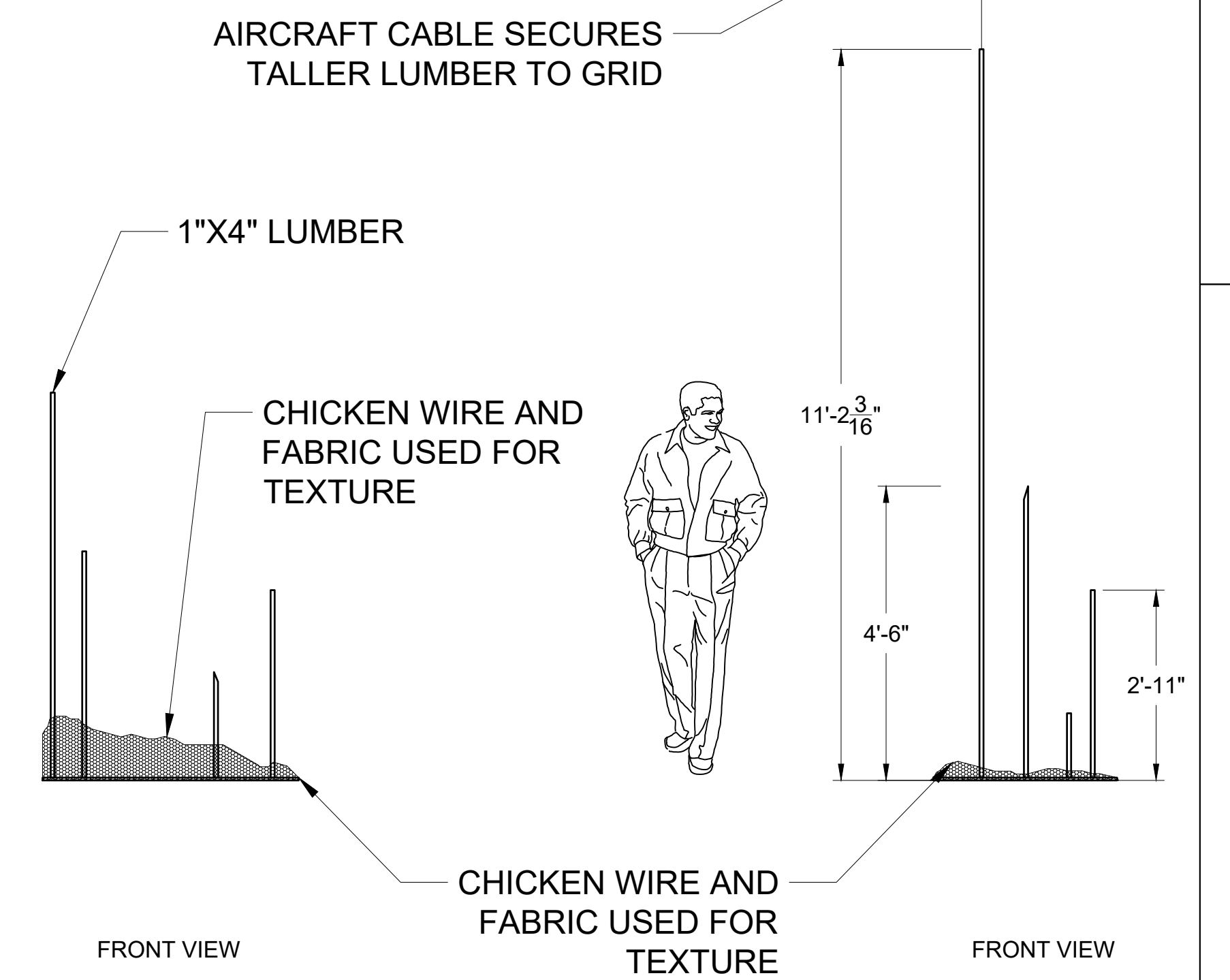
ABOUT FACE THEATRE



WINDOW UNIT
SCALE: 1/2" = 1'-0"

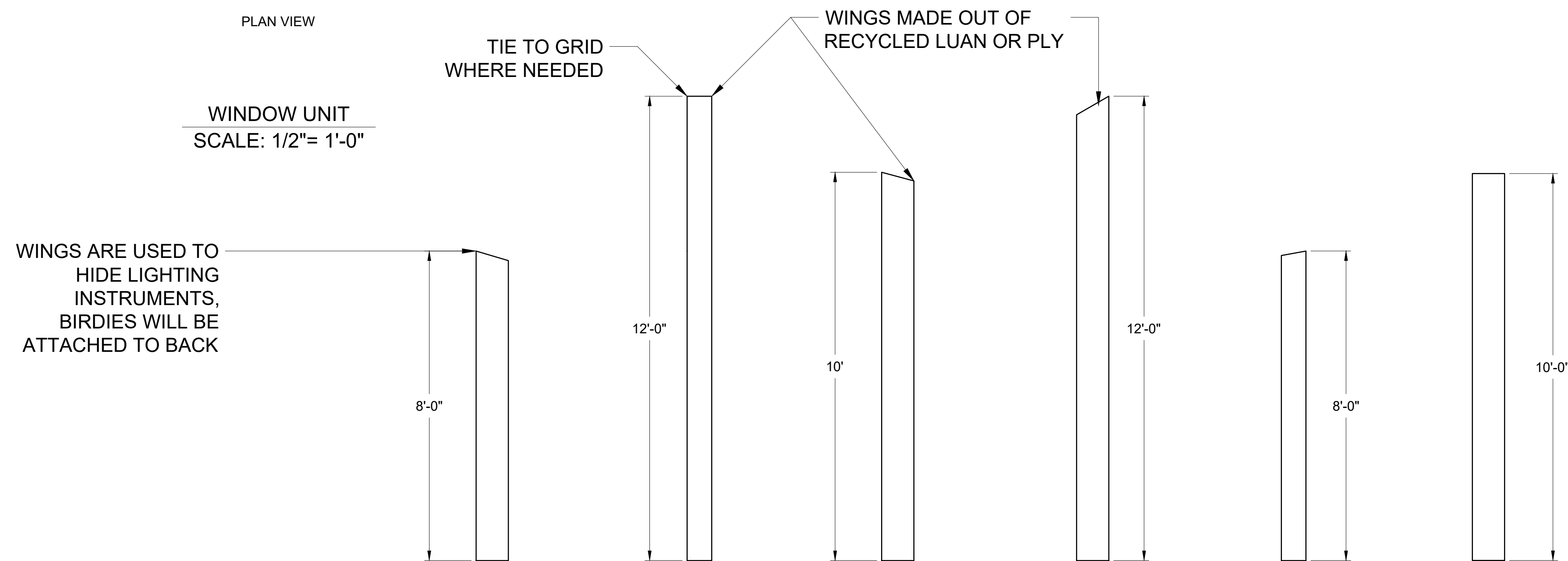


CLUSTER A
SCALE: 1/2" = 1'-0"

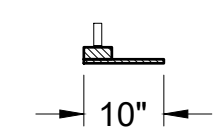


CLUSTER B
SCALE: 1/2" = 1'-0"

CLUSTER C
SCALE: 1/2" = 1'-0"



FRONT VIEW

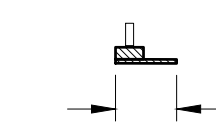


PLAN VIEW

WING A

SCALE: 1/2" = 1'-0"

FRONT VIEW

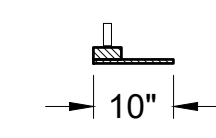


PLAN VIEW

WING C

SCALE: 1/2" = 1'-0"

FRONT VIEW

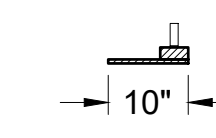


PLAN VIEW

WING E

SCALE: 1/2" = 1'-0"

FRONT VIEW

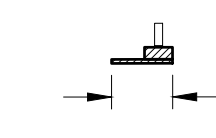


PLAN VIEW

WING F

SCALE: 1/2" = 1'-0"

FRONT VIEW

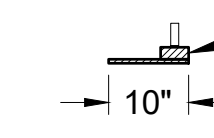


PLAN VIEW

WING D

SCALE: 1/2" = 1'-0"

FRONT VIEW



PLAN VIEW

WING B

SCALE: 1/2" = 1'-0"

2"X4" LUMBER USED FOR STABILITY

NOTE:

THESE DRAWINGS REPRESENT VISUAL CONCEPTS AND CONSTRUCTION SUGGESTIONS ONLY. DESIGNER IS UNQUALIFIED TO DETERMINE STRUCTURAL APPROPRIATENESS AND WILL NOT ASSUME RESPONSIBILITY FOR IMPROPER ENGINEERING, CONSTRUCTION, AND/OR HANDLING OF ITEMS BEING PRODUCED OR MANUFACTURED.

THE MAGNOLIA BALLET

PLATFORMS A, B, AND C

03/31/2022

SCALE: 1/2" = 1'-0"

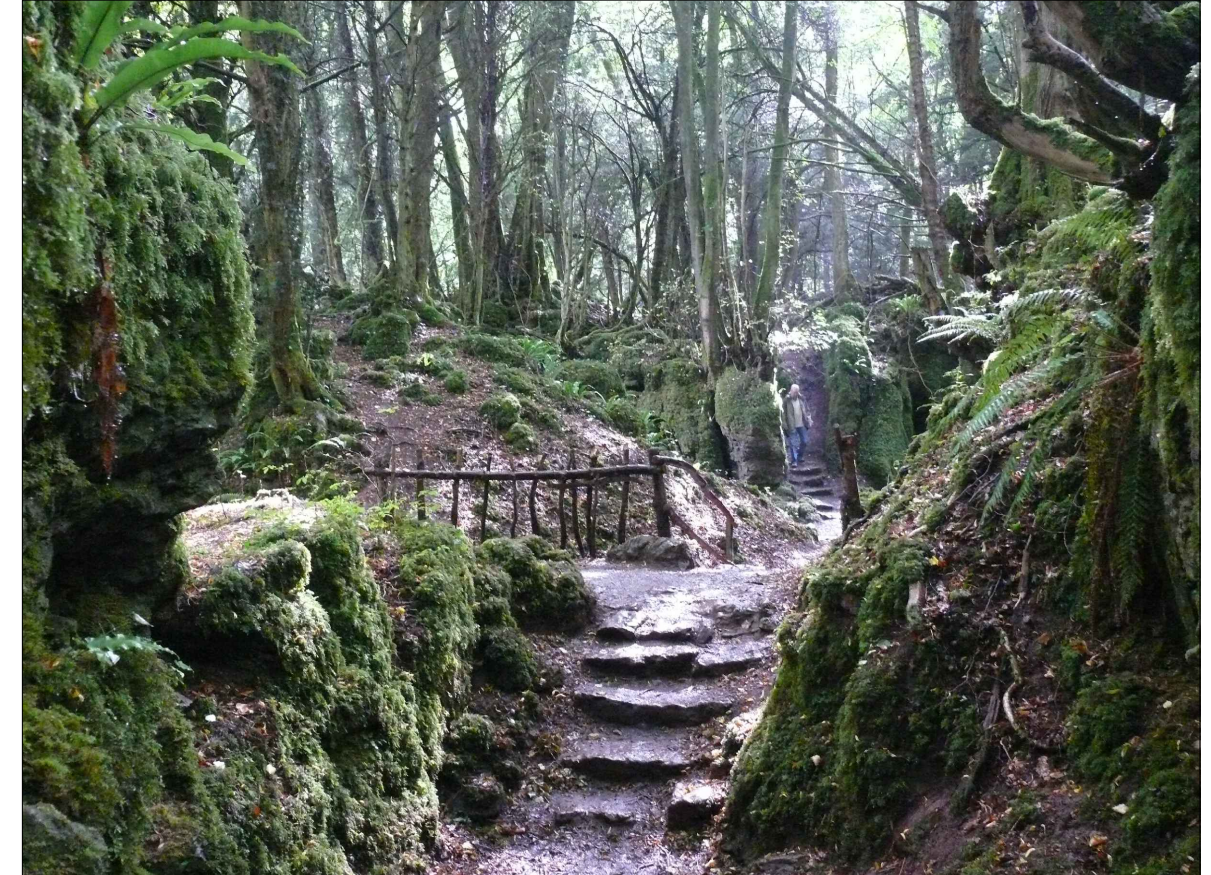
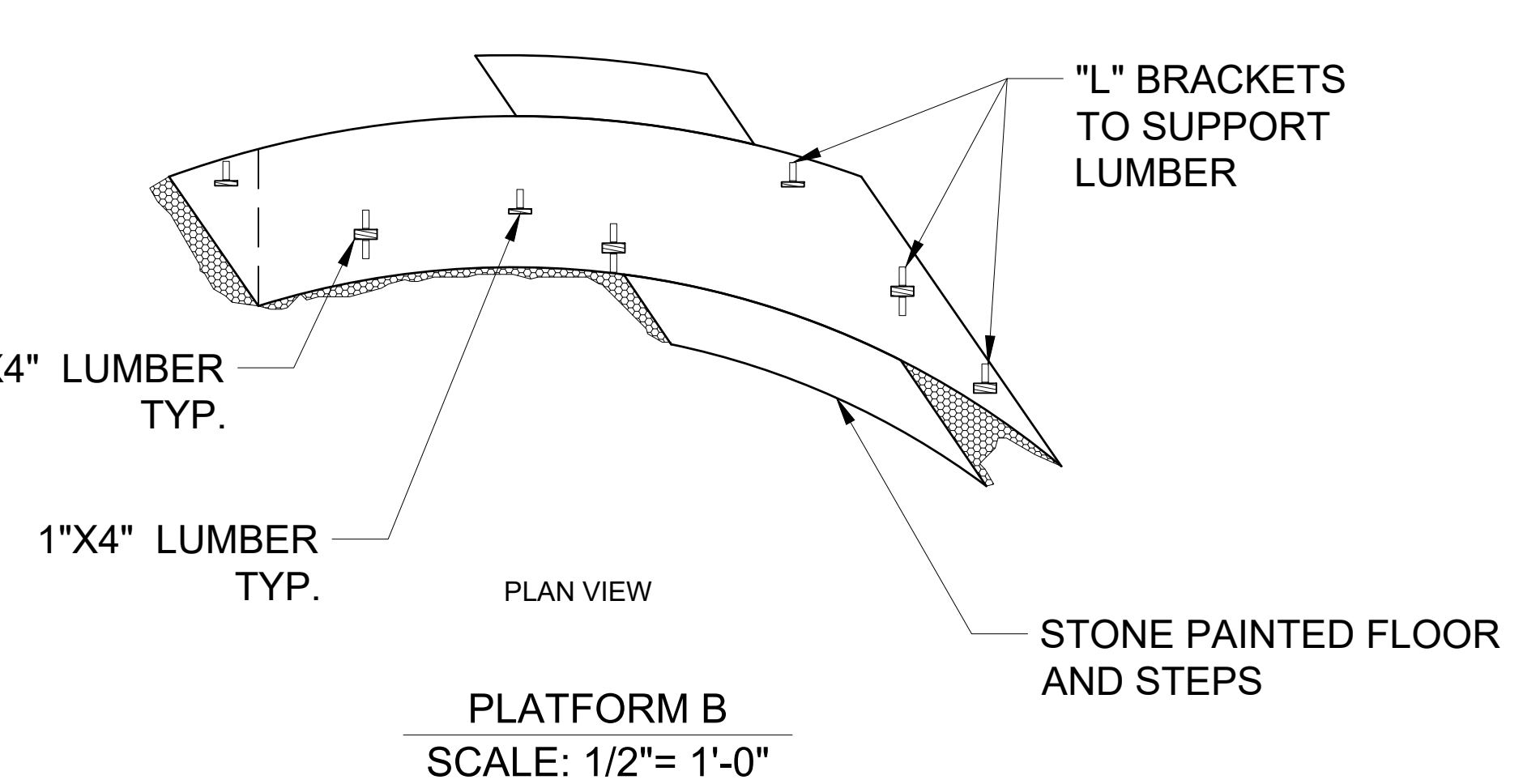
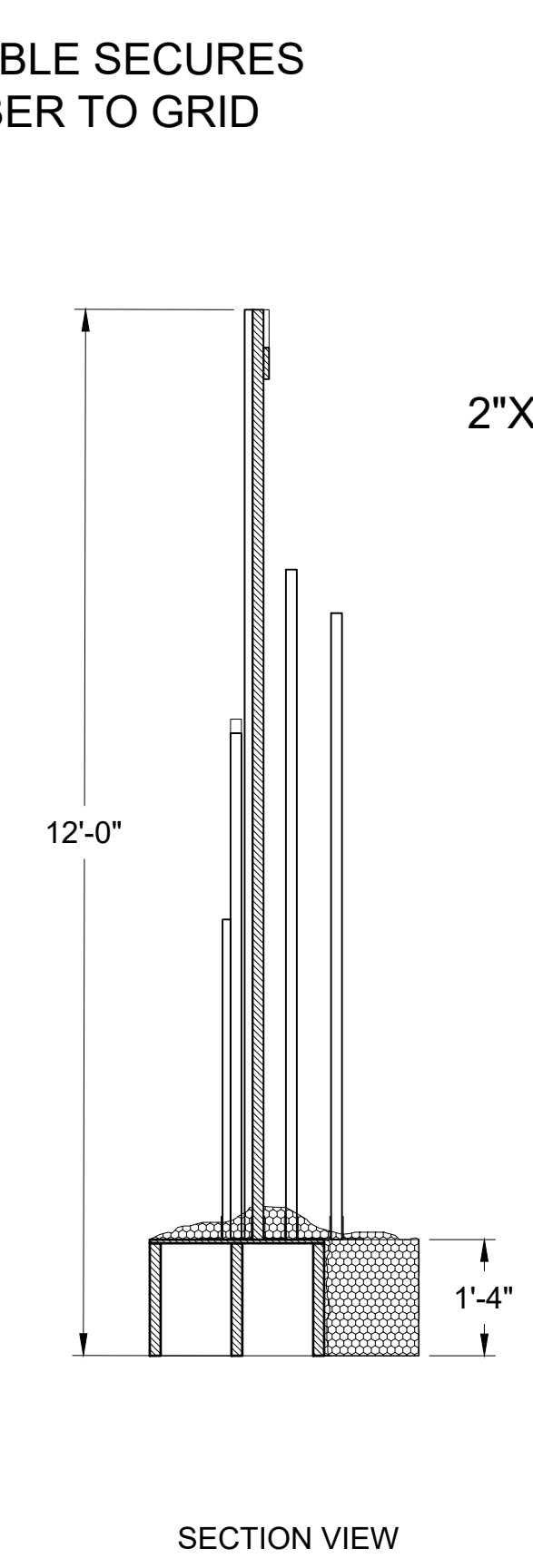
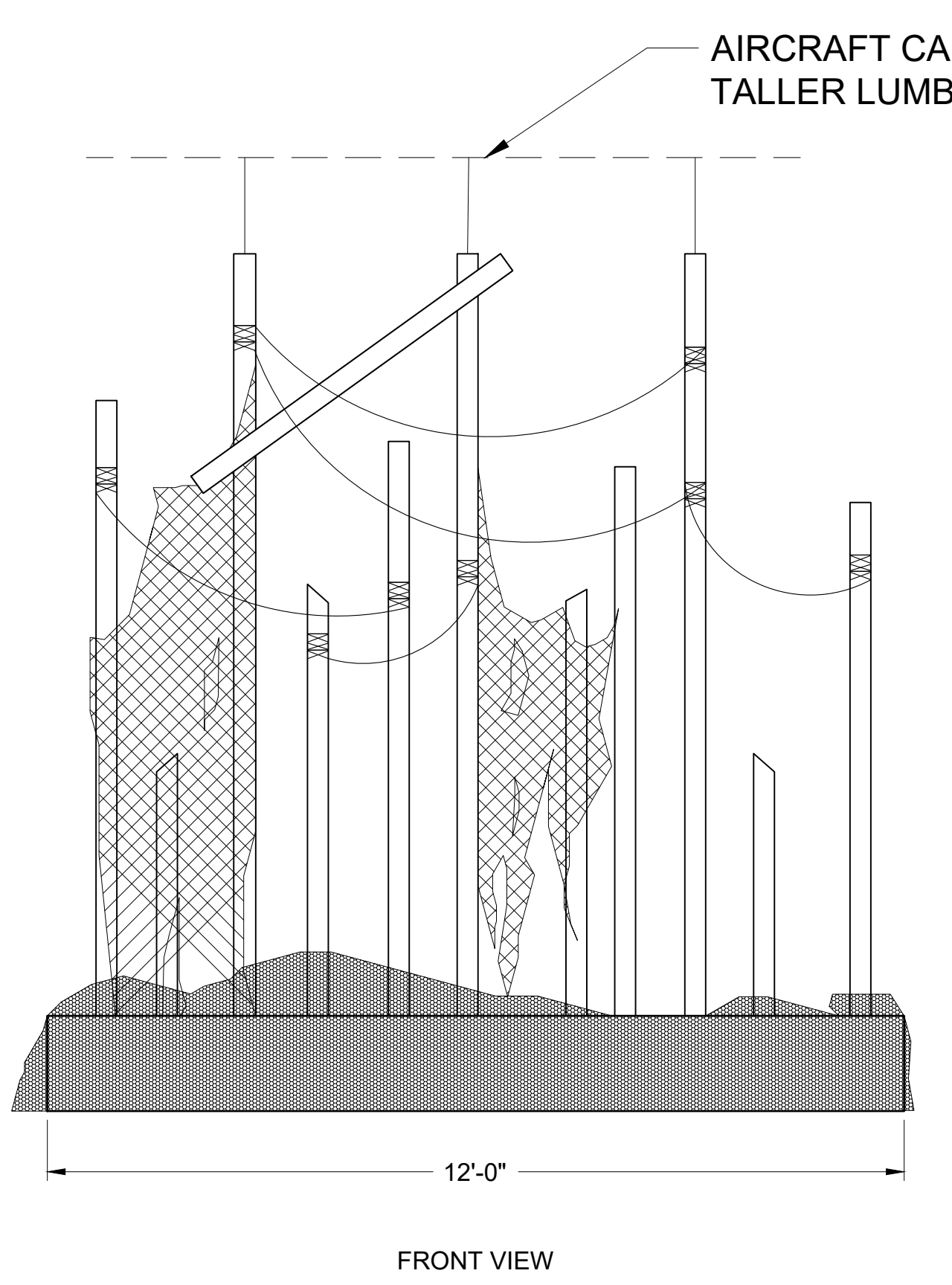
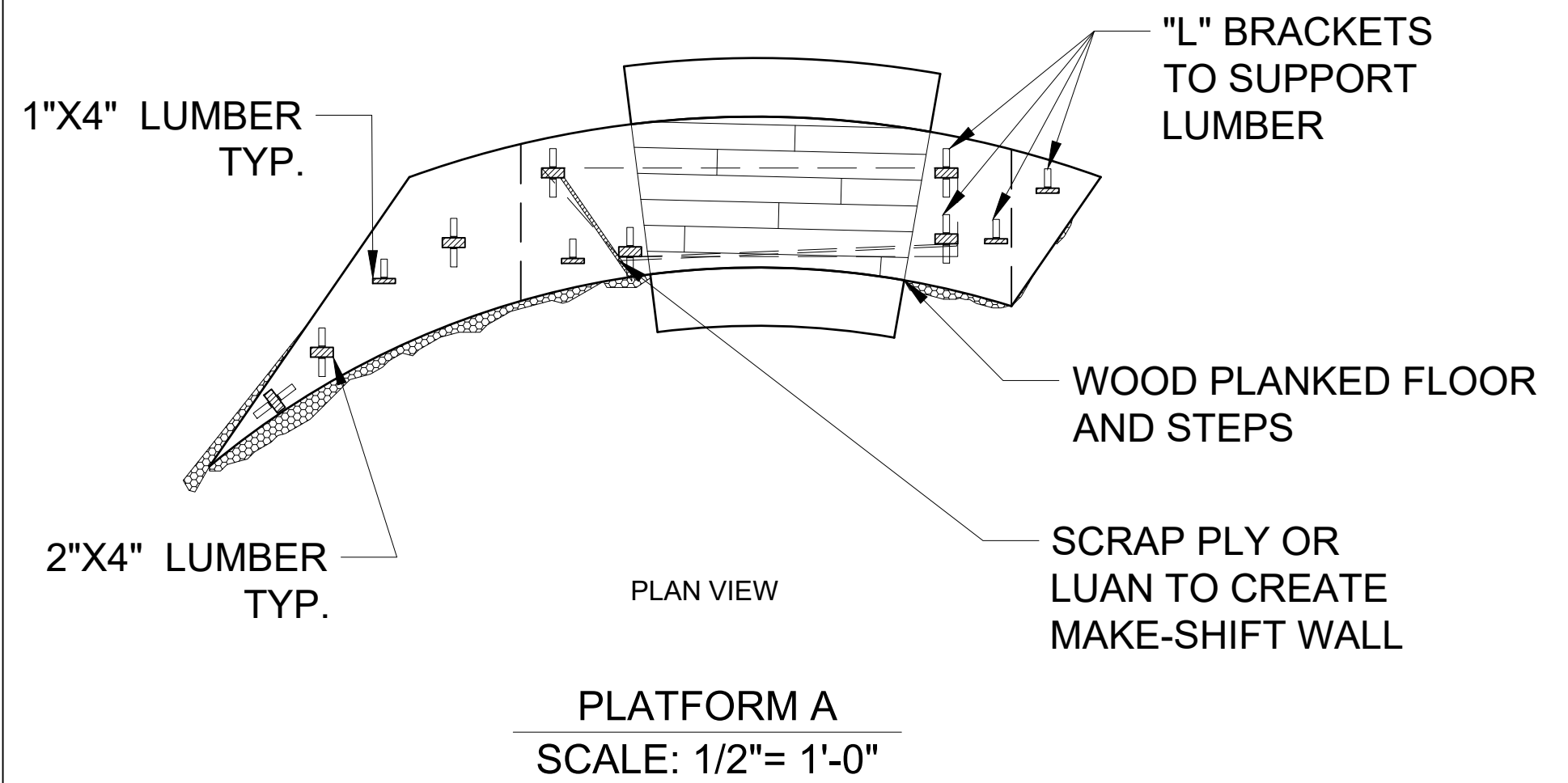
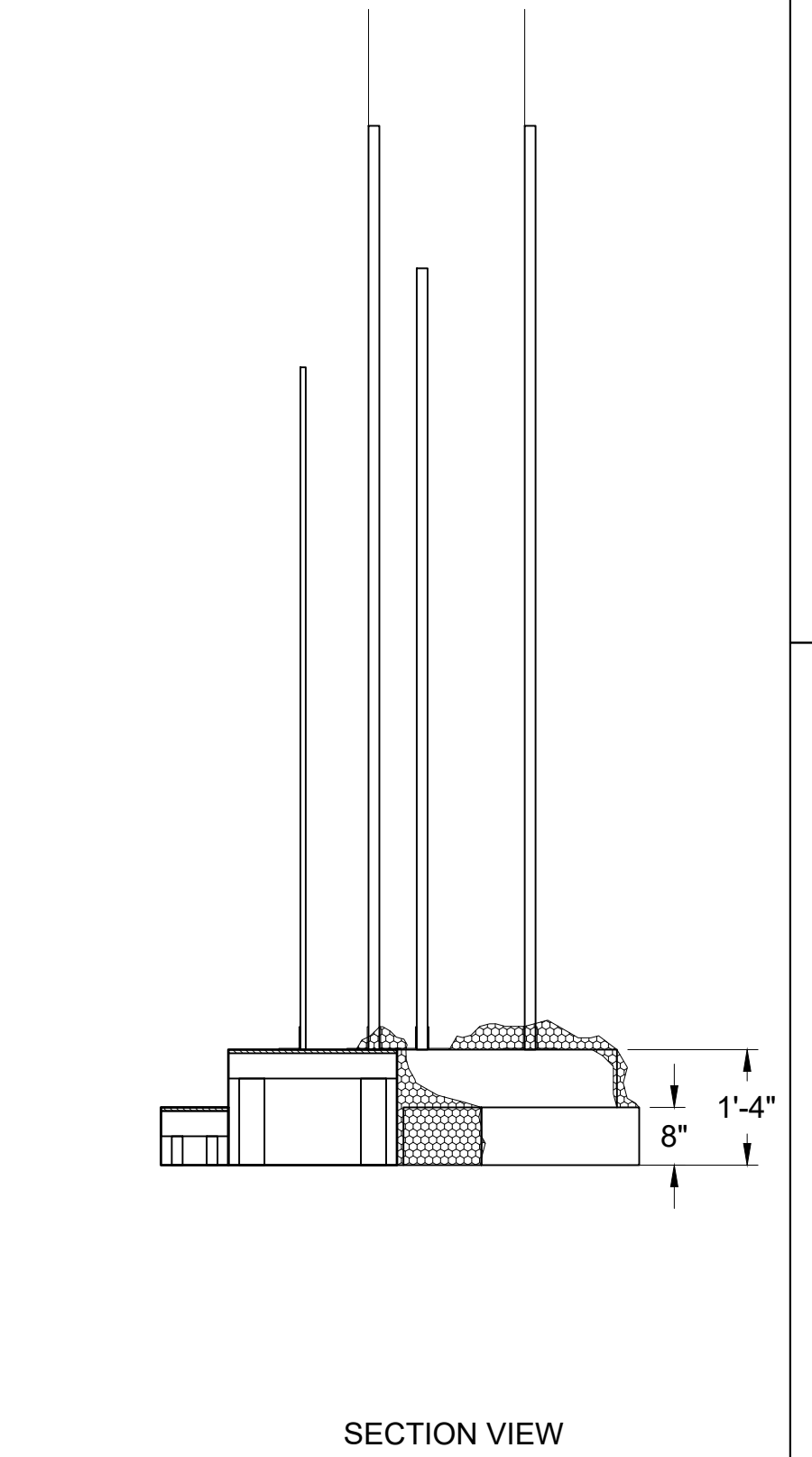
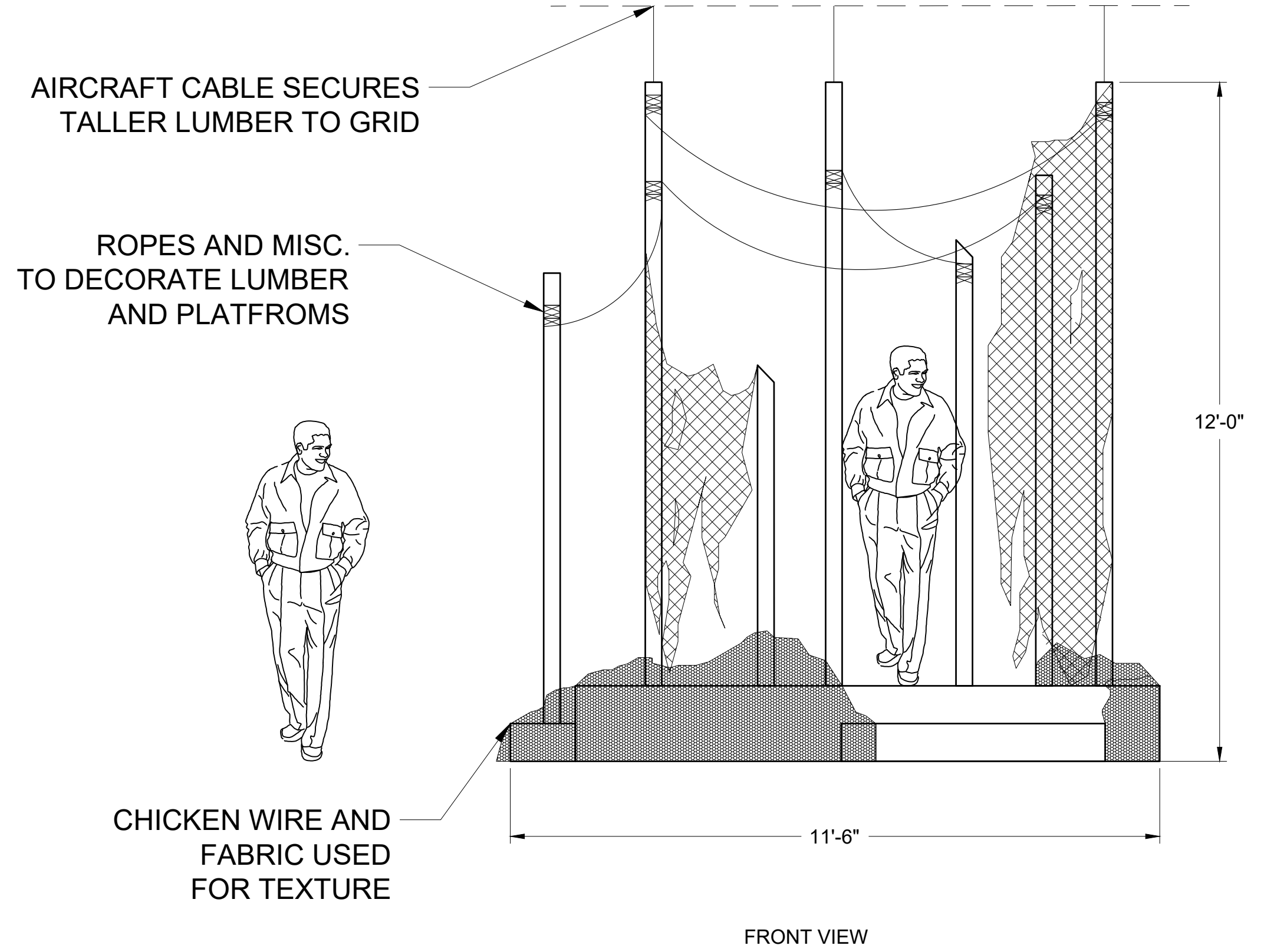
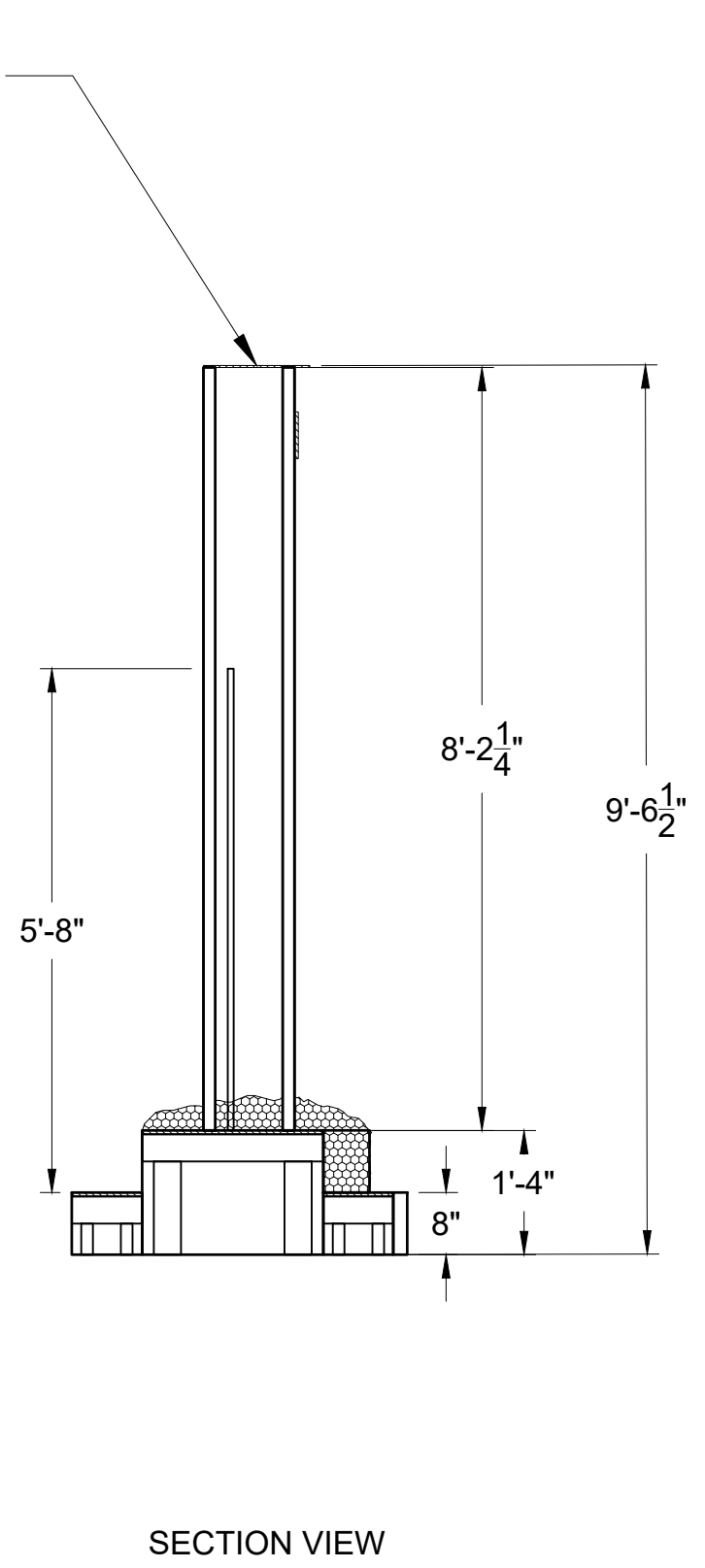
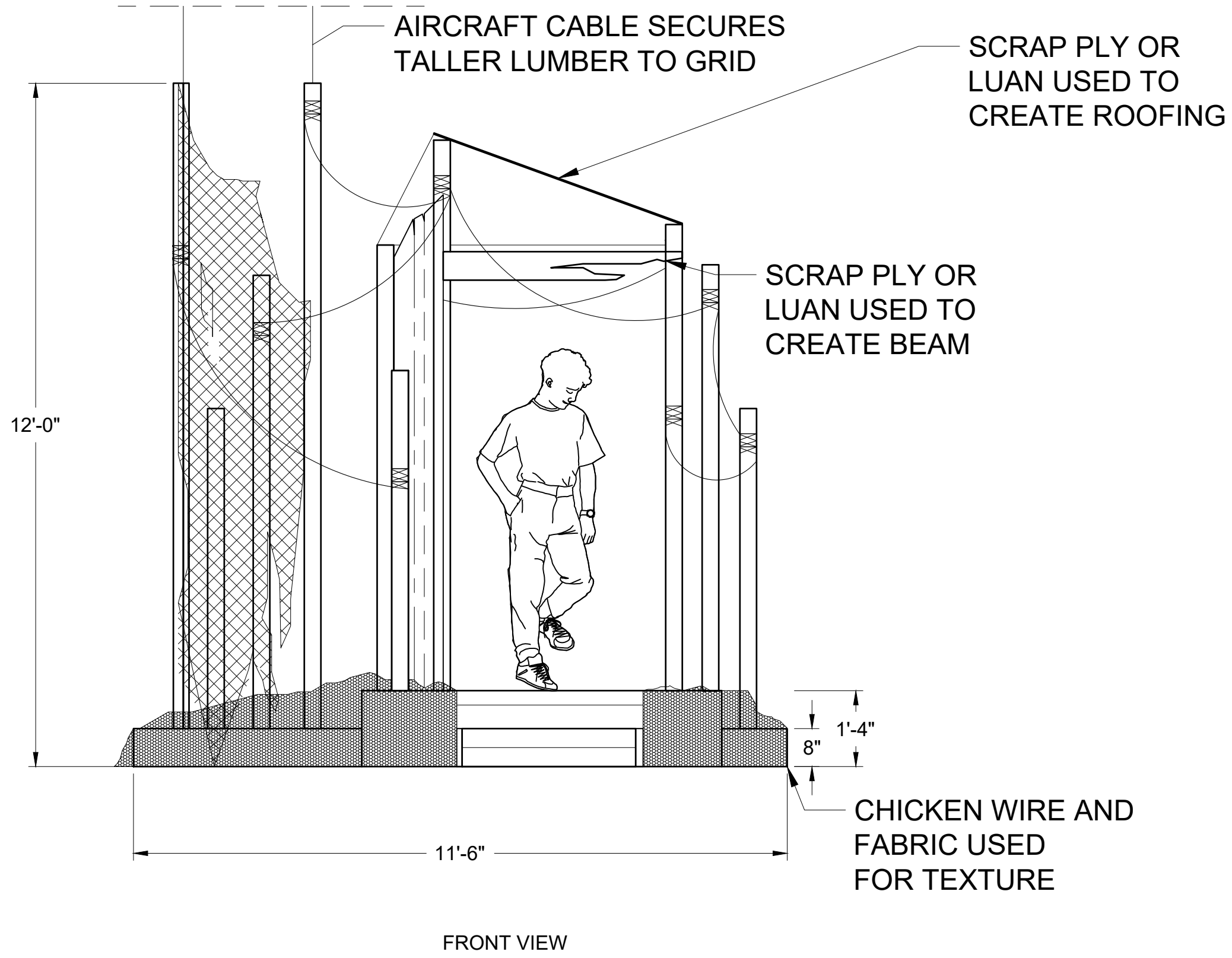
DIRECTOR: MIKAEL BURKE

DESIGNER: STEVEN ABBOTT

TD: BECCA VENABLE

DRAFTED BY: STEVEN ABBOTT

ABOUT FACE THEATRE



NOTE:
 THESE DRAWINGS REPRESENT VISUAL CONCEPTS AND CONSTRUCTION SUGGESTIONS ONLY. DESIGNER IS UNQUALIFIED TO DETERMINE STRUCTURAL APPROPRIATENESS AND WILL NOT ASSUME RESPONSIBILITY FOR IMPROPER ENGINEERING, CONSTRUCTION, AND/OR HANDLING OF ITEMS BEING PRODUCED OR MANUFACTURED.

